




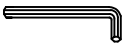

# ASSEMBLY INSTRUCTIONS

## ITEM NO. :1162NGY-5 / 1162NBR-5

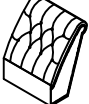
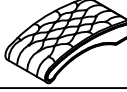

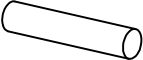
### CHAISE

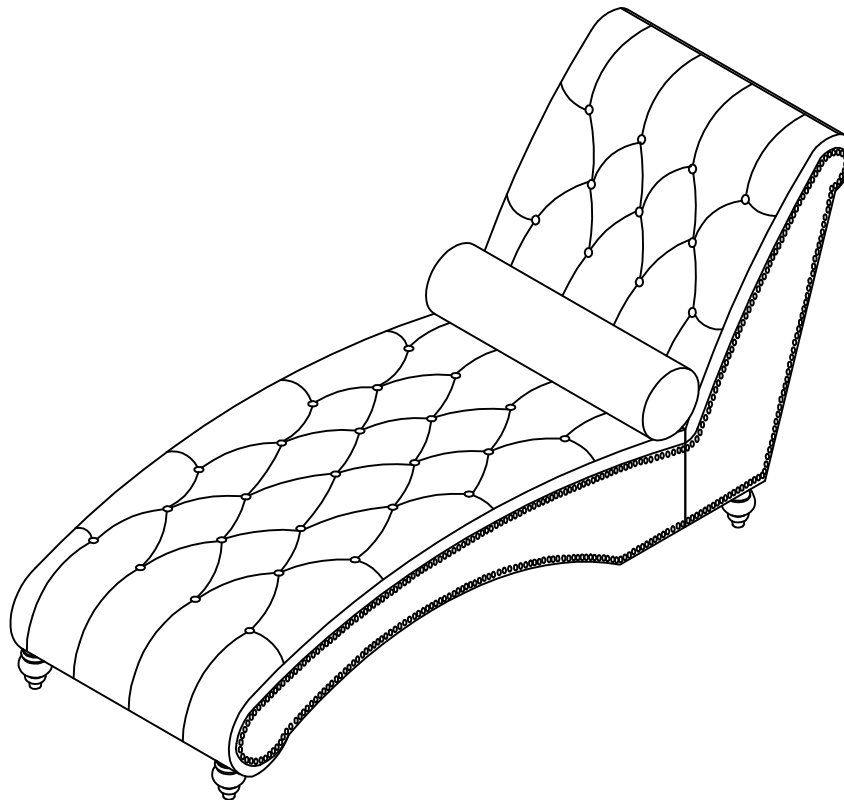
▲ It is recommended to install protective pads under all legs and supports to avoid damage or scratches when placing furniture on a wood floor or other hard surface, and to limit indentation and prevent discoloration if placing on carpet.

#### HARDWARE LIST

No.	DESCRIPTION	SKETCH	SIZE	QTY
A	BOLT		5/16" - 18 x 2-1/6"	4 PCS
B	SPRING WASHER		5/16"x5/16"x13/32"x0.08"	4 PCS
C	FLAT WASHER		5/16"x5/16"x23/32"x0.08"	4 PCS
D	ALLEN KEY		1/6" x 2-1/2"	1 PC
E	PLASTIC WASHER		2/5" x 1-3/4" x 0.19"	4 PCS

#### PARTS LIST

NO.	DESCRIPTION	DRAWING	QTY
1	BACK REST		1 PC
2	SEAT		1 PC
3	BUN FOOT		4 PCS
4	KIDNEY PILLOW		1 PC



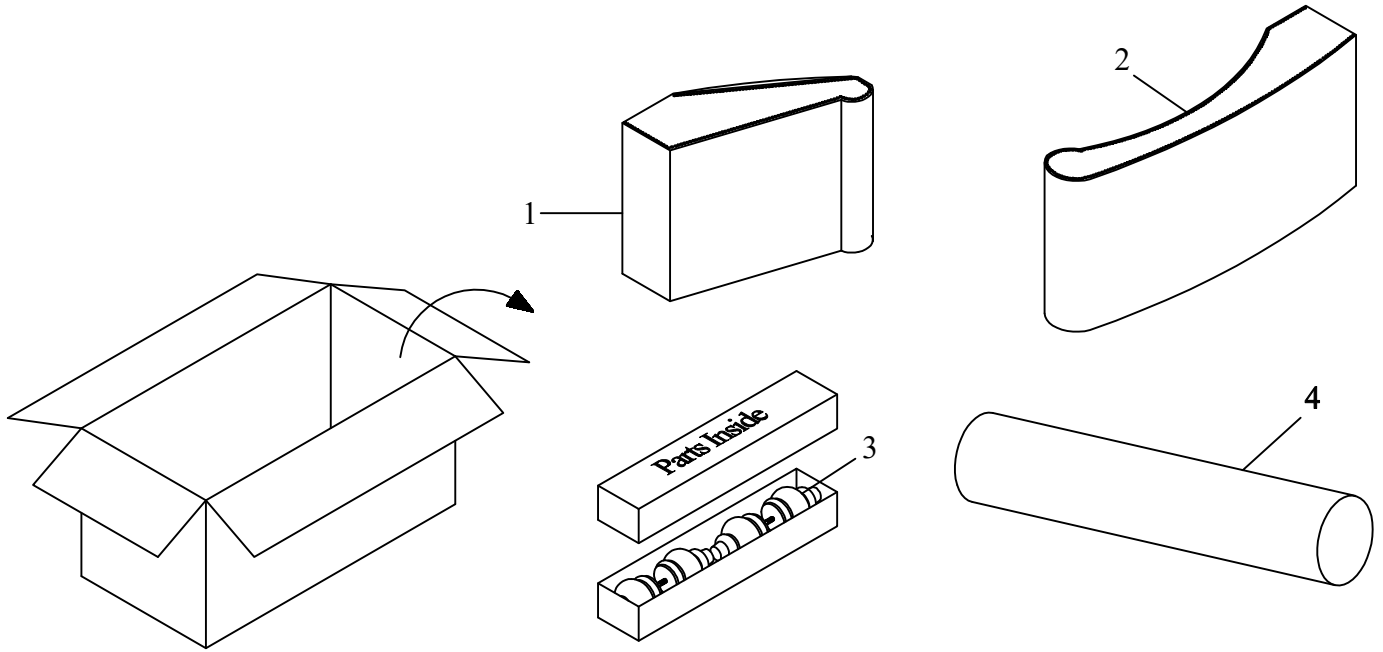
Assembly Completed

# ASSEMBLY INSTRUCTIONS

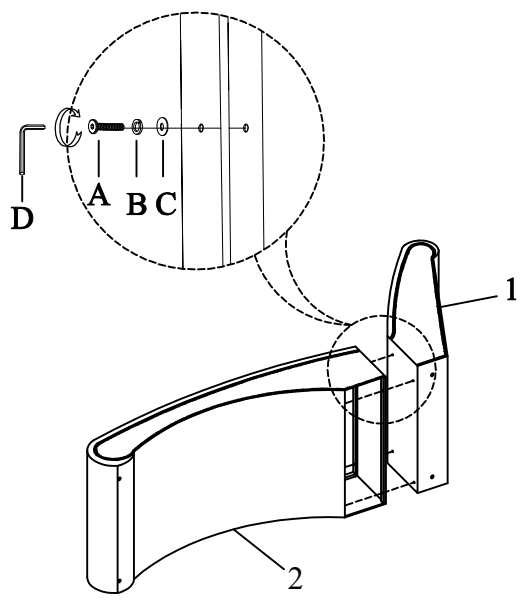
## ITEM NO. :1162NGY-5 / 1162NBR-5

### CHAISE

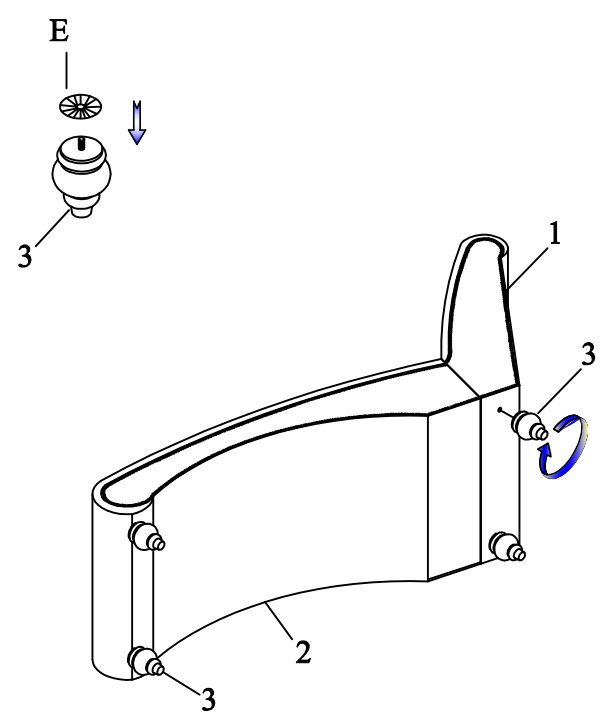
\* Please remove all parts from carton before assembly.



**STEP 1:**



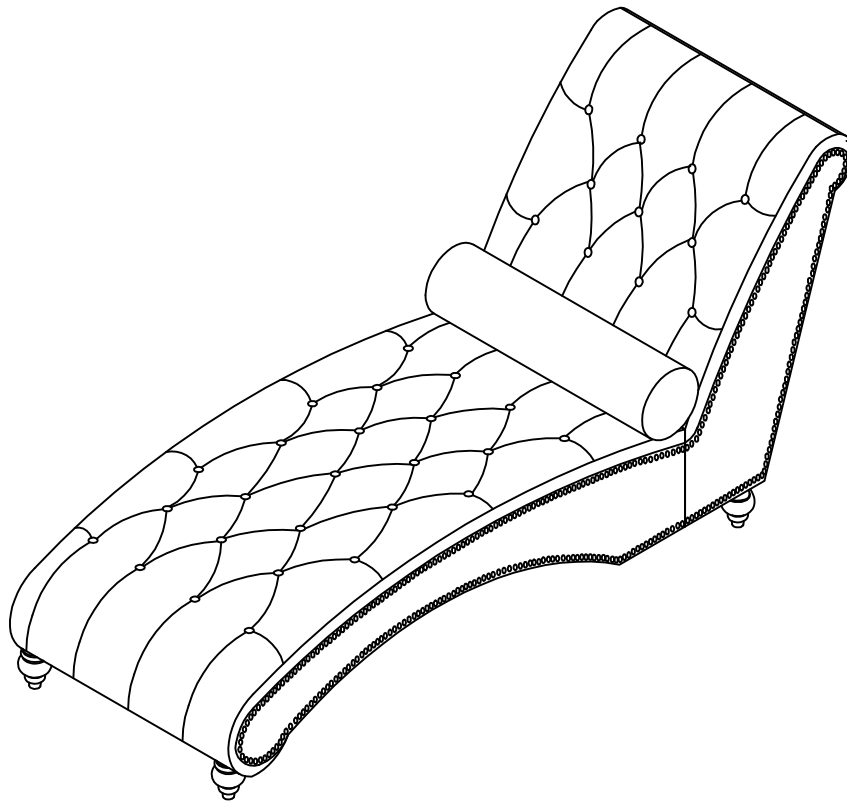
**STEP 2:**



# ASSEMBLY INSTRUCTIONS

ITEM NO. :1162NGY-5 / 1162NBR-5  
**CHAISE**

Assembly Completed



## CARE INSTRUCTION FOR FABRIC FURNITURE

In order to maintain the original appearance of your fabric furniture, please follow below care procedures:

- Avoid exposing furniture directly to sunlight or heating and air conditioning outlets. Sunlight and / or exposure to heating and air conditioning outlets will fade/damage fabric. Do not place your upholstered furniture too close to windows, radiators, r vents and be sure to use window treatments to block the sun's rays.
- Wipe with a soft brush to remove dust.