

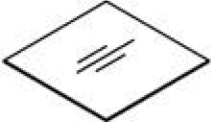
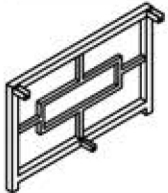


# Assembly Instruction





## END TABLE

### ITEM NO.: 3642-04

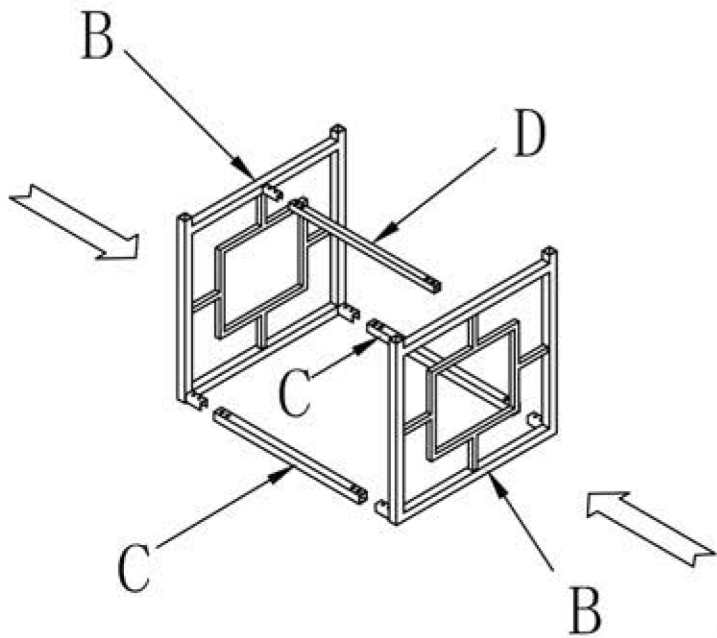
**NOTE:** Do not use power tools for assembly. Power tools increase the risk of over tightening which leads to splitting or cracking the wood.

#### COMPONENT LIST

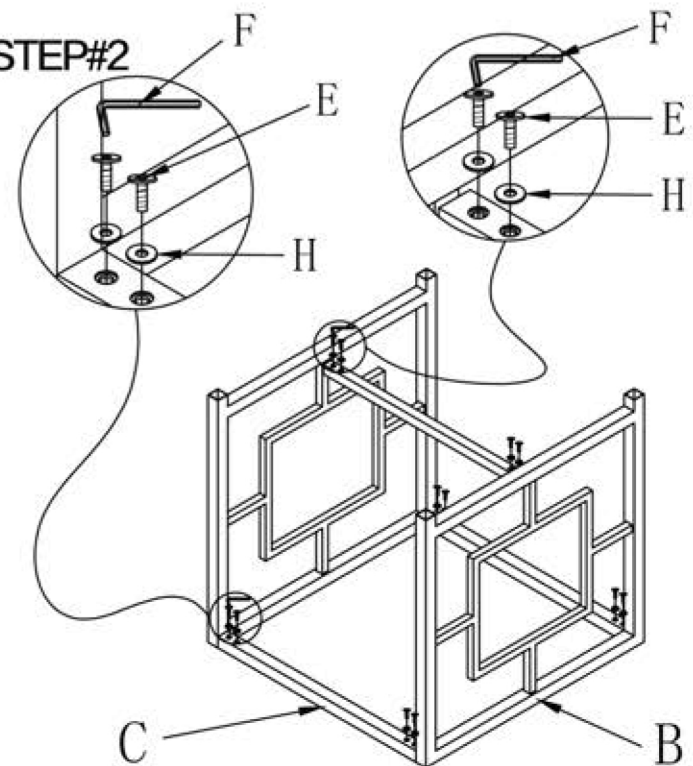
NO.	DRAWING	QTY	DESCRIPTION
A		1	Glass Top
B		2	Leg
C		2	Upper cross bar
D		1	Lower cross bar

NO.	DRAWING	QTY	DESCRIPTION
E		12	Allen bolt 8X16MM
F		1	Allen key
G		4	Plastic Pad
H		12	Washer 8x16mm

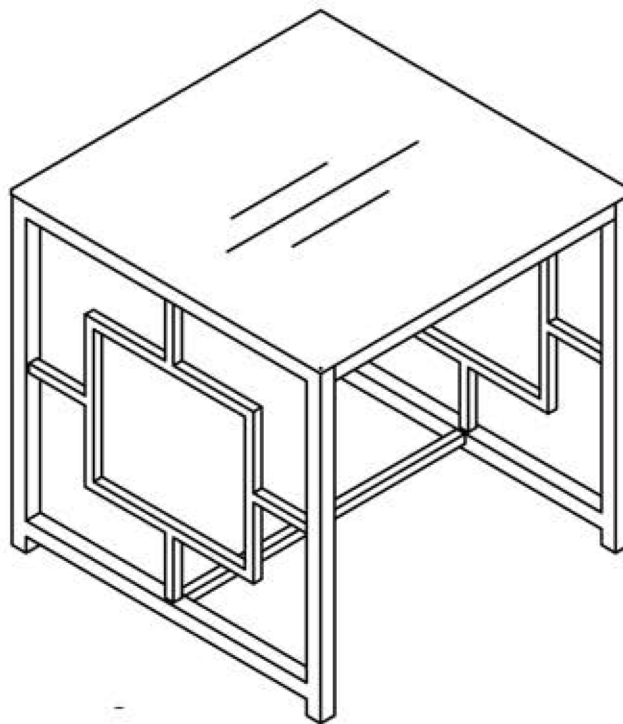
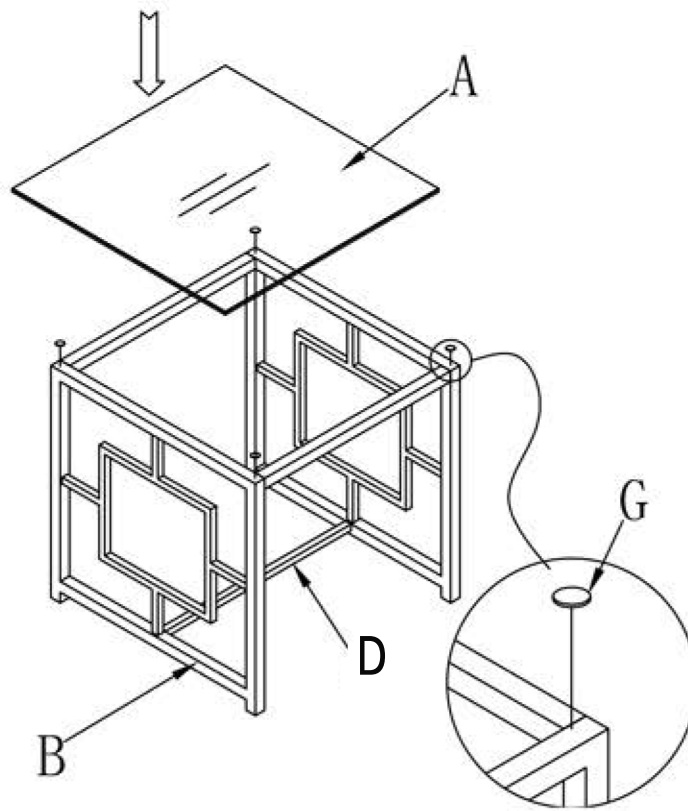
#### STEP#1



#### STEP#2



STEP#3



**For items use on wooden floor, hard surfaces or carpets, it is recommended to Install protective pads under all legs and supports to avoid/prevent from damages/scratches and discoloration.**