



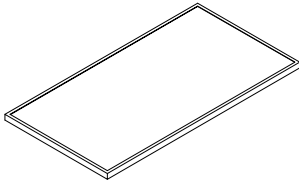
ASSEMBLY INSTRUCTION

3709-31

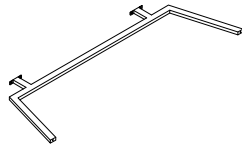
3 PCS OCCASIONAL SET

HOMELEGANCE

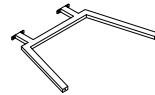
PART LIST:



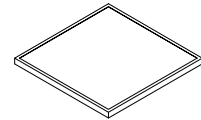
A:Cocktail Table
Top
1PC



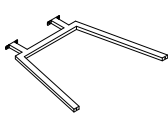
B:Cocktail Table
Leg Frame #1
2PCS



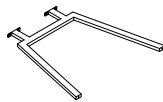
C:Cocktail Table
Leg Frame #2
2PCS



D:End Table Top
2PCS



E:End Table
Leg Frame #1
4PCS



F:End Table
Leg Frame #2
4PCS

HARDWARE SET:



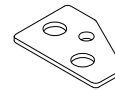
G:Bolt
1/4"*12mm
X 72PCS



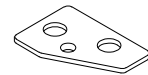
H:Adjustable
Leveler
Ø13mm
X 12PCS



I:Allen Key
4mm
X 1PC



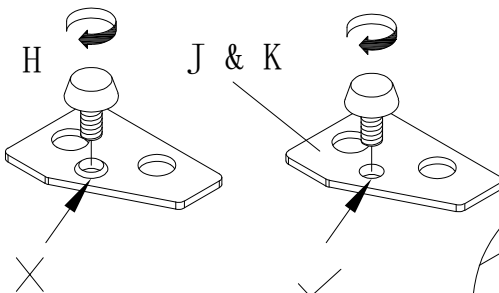
J:Connection
Bracket #1
X 6PCS



K:Connection
Bracket #2
X 6PCS

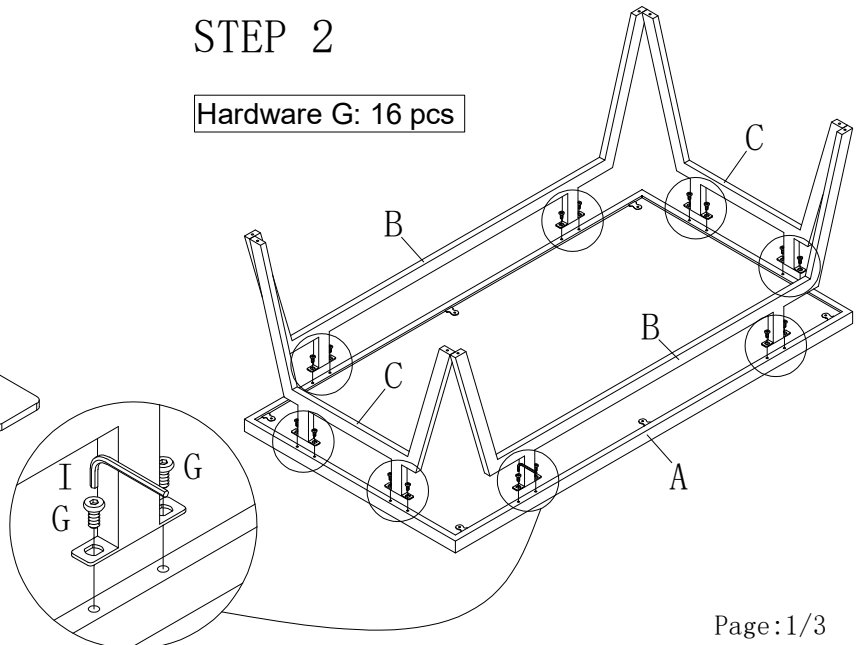
STEP 1

Hardware H: 12 pcs
Hardware J: 6 pcs
Hardware K: 6 pcs



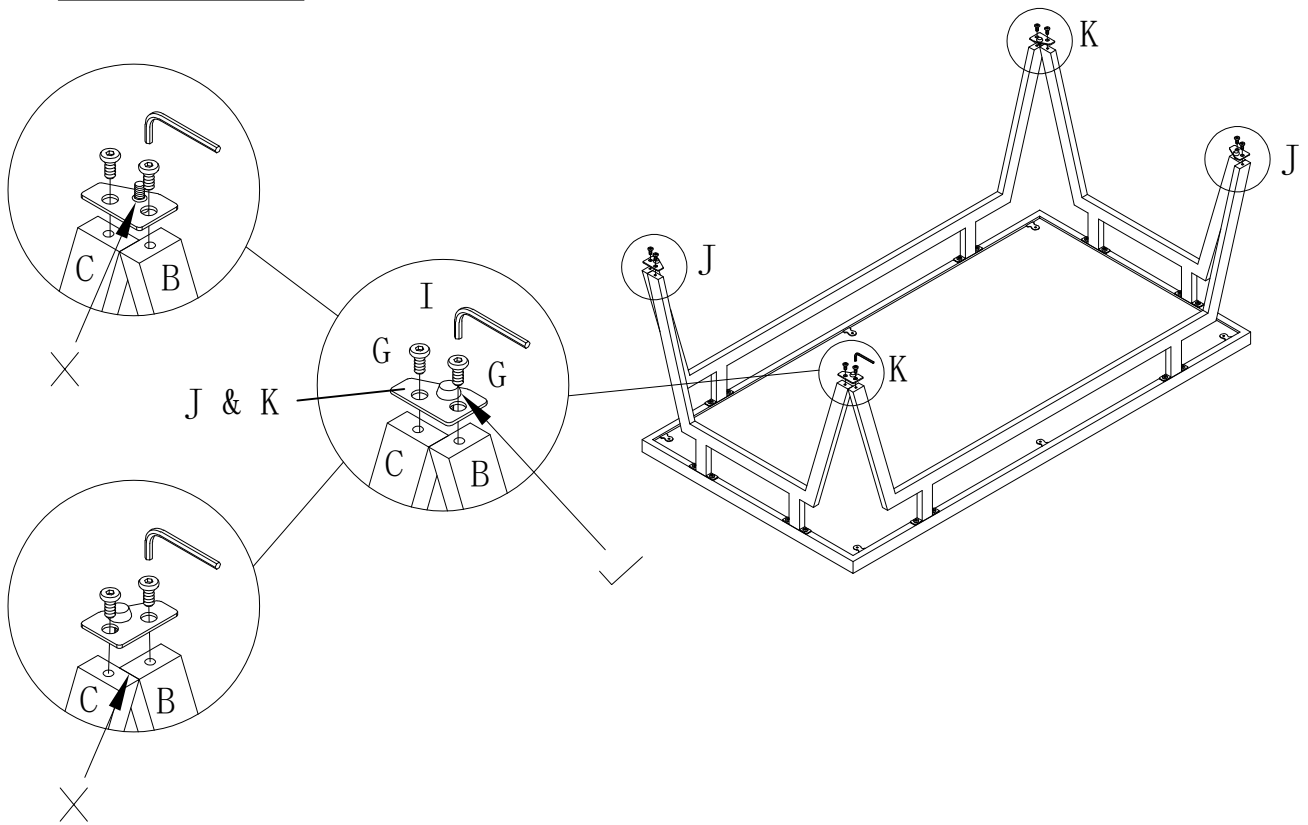
STEP 2

Hardware G: 16 pcs

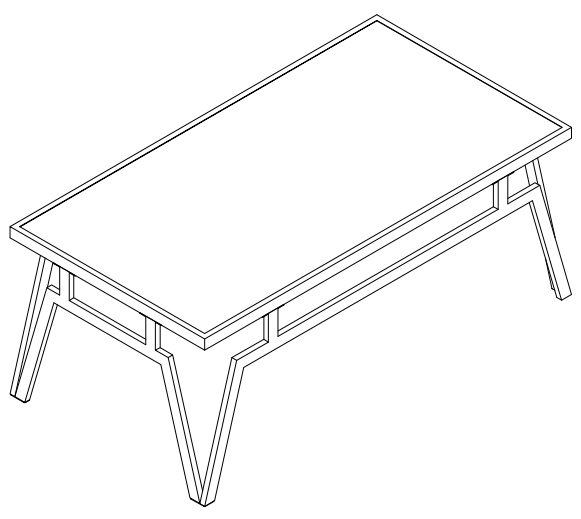


STEP 3

Hardware G: 8 pcs
Hardware J: 2 pcs
Hardware K: 2 pcs

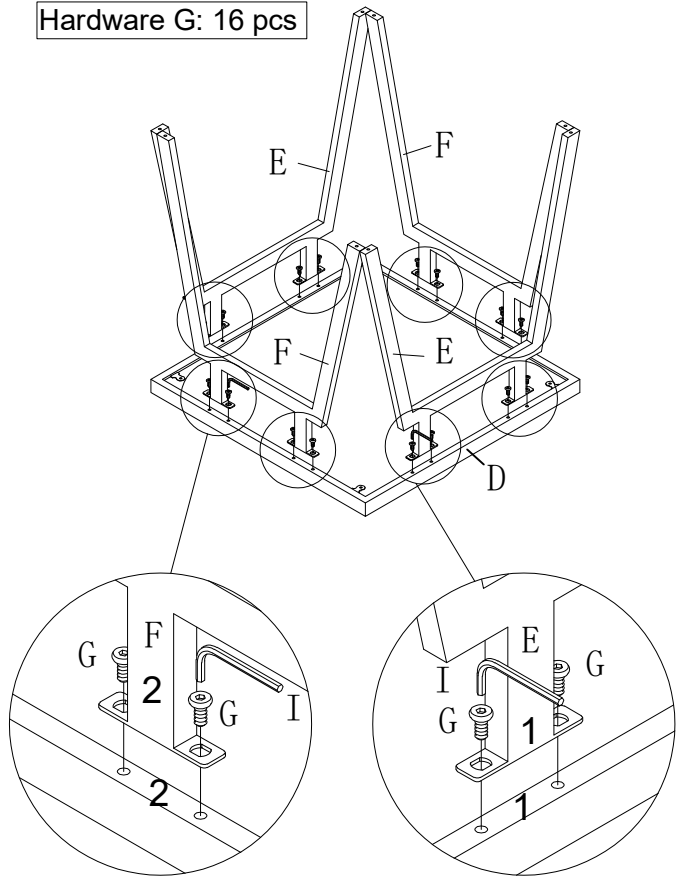


STEP 4



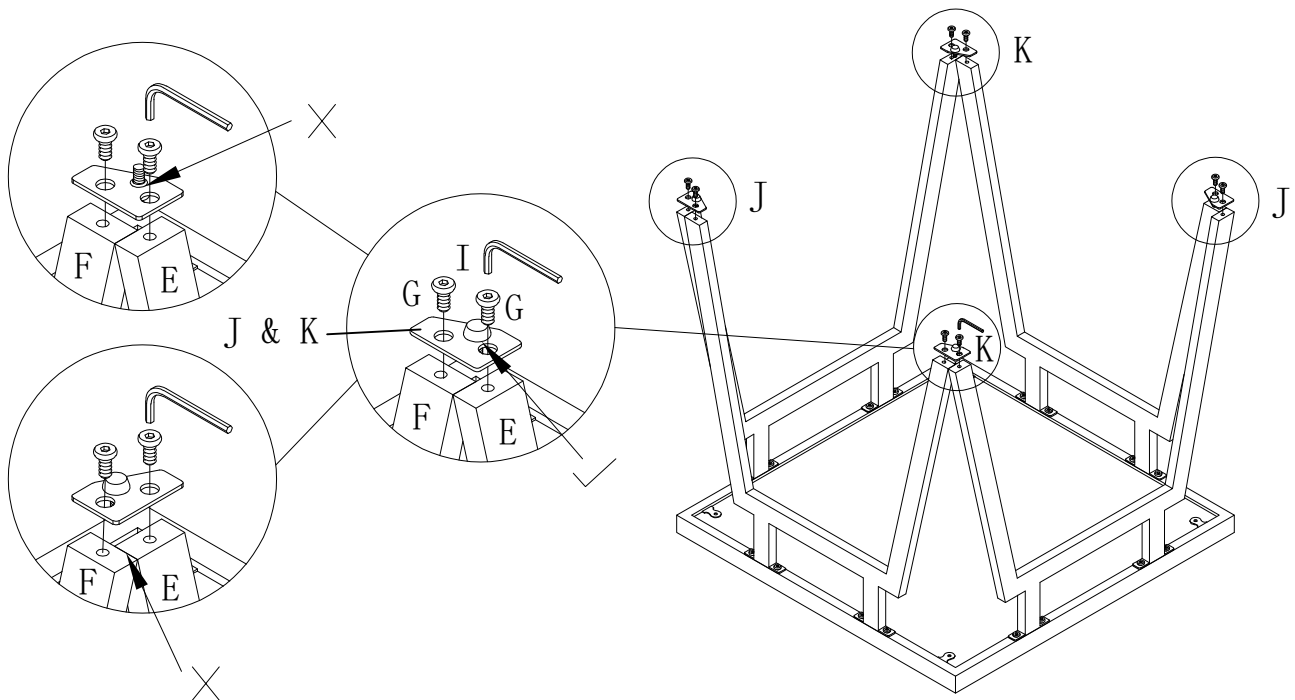
STEP 5

Hardware G: 16 pcs



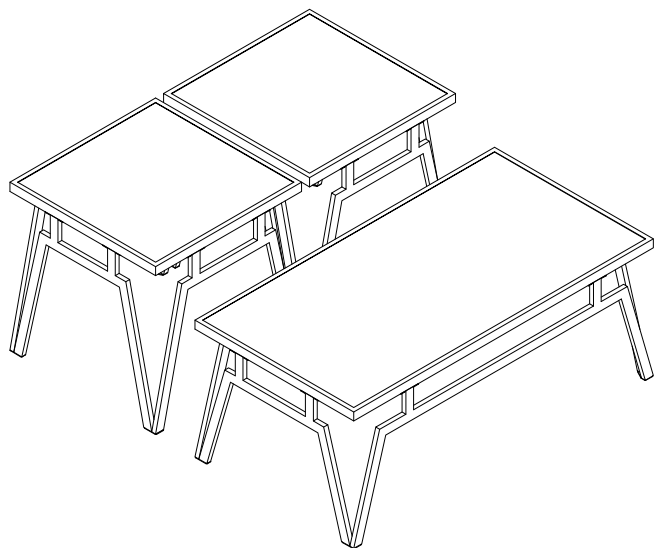
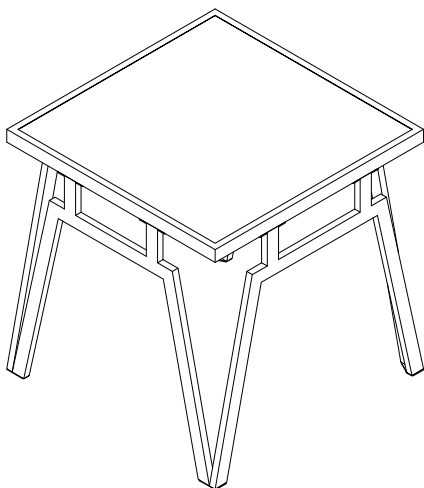
STEP 6

Hardware G: 8 pcs
Hardware J: 2 pcs
Hardware K: 2 pcs



STEP 7

COMPLETED



For items use on wooden floor, hard surfaces or carpets, it is recommended to install protective pads under all legs and supports to avoid/prevent from damages/scratches and discoloration.