



Assembly Instruction

ITEM NO.: 4798LG/4798BU

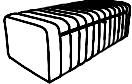
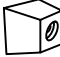



STORAGE BENCH



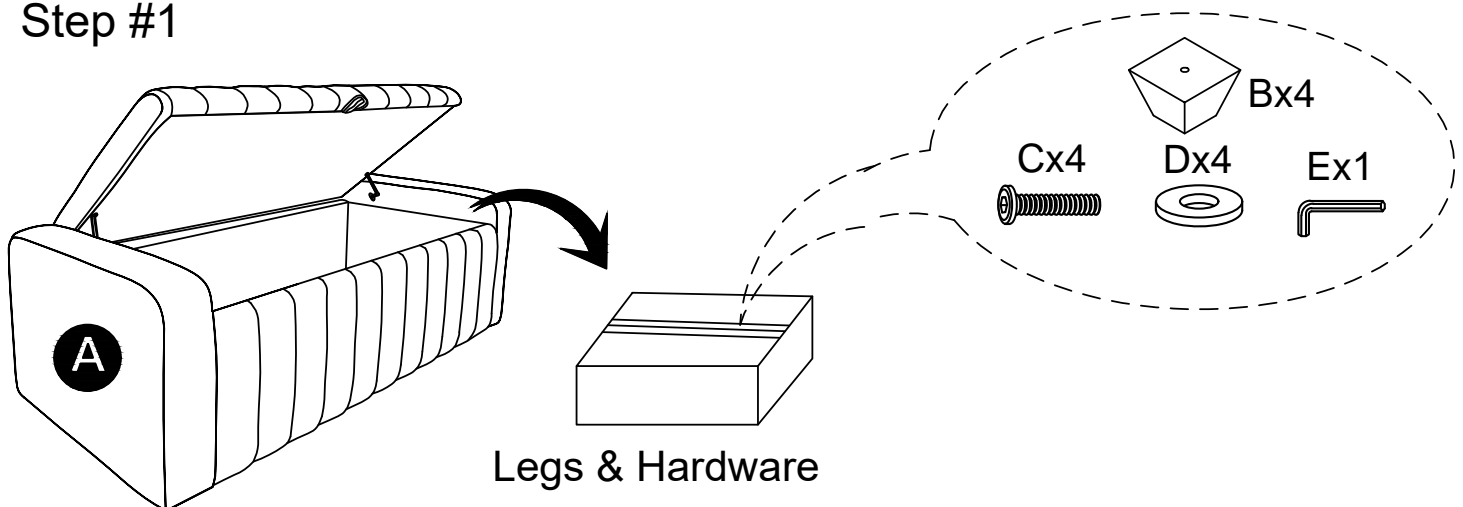
Legs & Hardware are stored in the bench,
Please take out the legs and hardware for assembly

Note: Do not use power tools for assembly. Power tools increase the risk of over tightening which lead to splitting or cracking the wood.

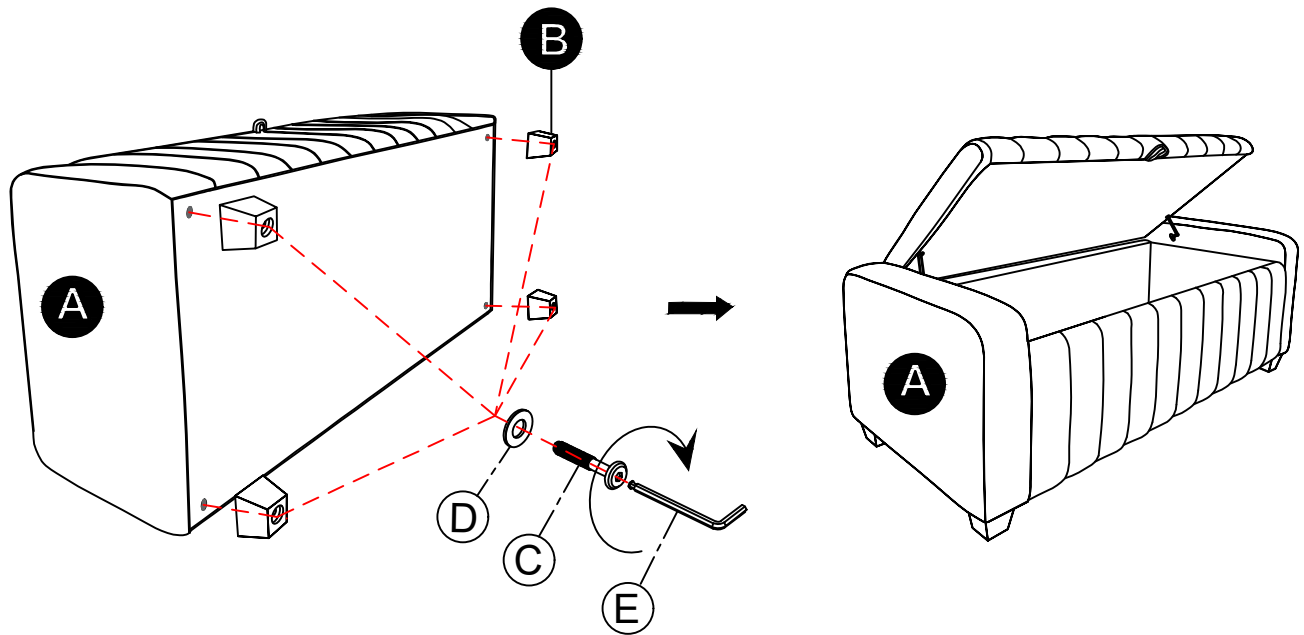
Component list

No	Drawing	Qty	Description
A		1	BENCH
B		4	WOODEN LEGS 70*70*60MM
C		4	BOLT M8*50mm
D		4	FLAT WASHER M8
E		1	ALLEN KEY M4

Step #1



Step #2



Care Instruction for Boucle Furniture:

In order to maintain the original appearance of your boucle Furniture, please follow below simple care procedures:

- Avoid exposing furniture directly to sunlight or heating and air conditioning outlets. Sunlight and or exposure to heating and air conditioning outlets will fade/damage boucle.
- Vacuum or wipe with a soft cloth to remove dust.
- Hardware may loosen over time. Periodically check to make sure all connection are tight, Re-tighten if necessary



For items use on wooden floor, hard surfaces or carpets, it is recommended to Install protective pads under all legs and supports to avoid/prevent from damages/scratches and discoloration.