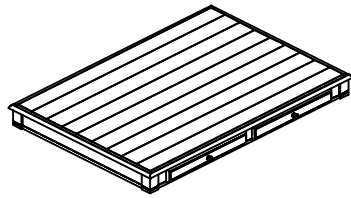




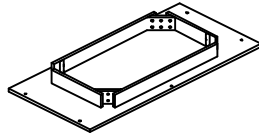
# ASSEMBLY INSTRUCTION

## 5705BK-36 COUNTER HEIGHT TABLE

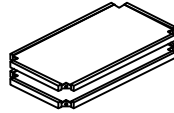
### PART LIST:



(1) Table Top  
1pc



(2) Mounting Board  
1pc

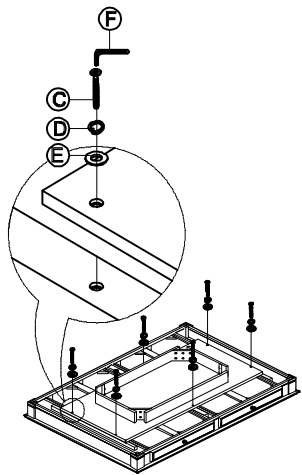


(3) Bottom Shelf  
2pcs

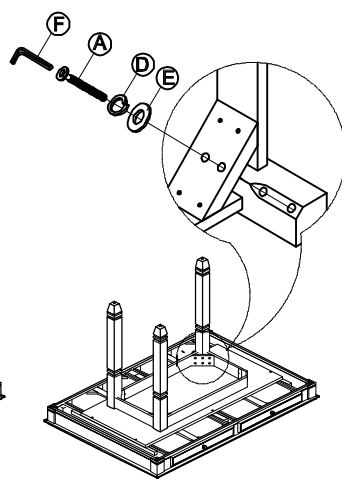


(4) Table Leg  
4pcs

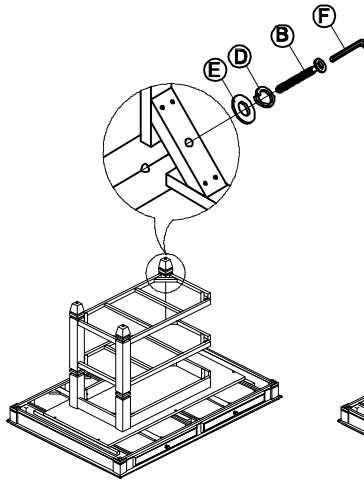
HARDWARE LIST				
A		Long Bolt	Ø5/16"x L70mm	8 PCS
B		Medium Bolt	Ø5/16"x L60mm	8 PCS
C		Short Bolt	Ø1/4"x L40mm	6 PCS
D		Spring Washer	Ø5/16"	22 PCS
E		Flat Washer	5/16"(Ø19)*2mm	22 PCS
F		L - Allen Key	4*59mm	1 PC



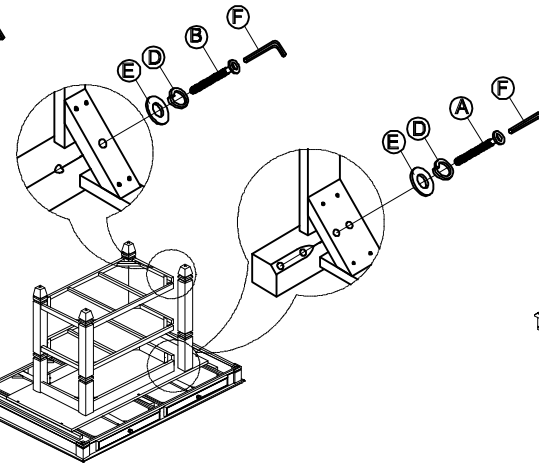
STEP 1



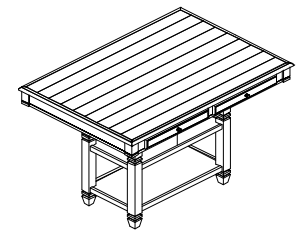
STEP 2



STEP 3



STEP 4



COMPLETED

- (1) - Attach the Mounting Board to the Table Top
- (2) - Attach 3 Table Leg to the Mounting Board
- (3) - Insert 2 Bottom Shelf then attach to The Table Leg
- (4) - Attach a Table Leg to the Bottom Shelf and Mounting Board

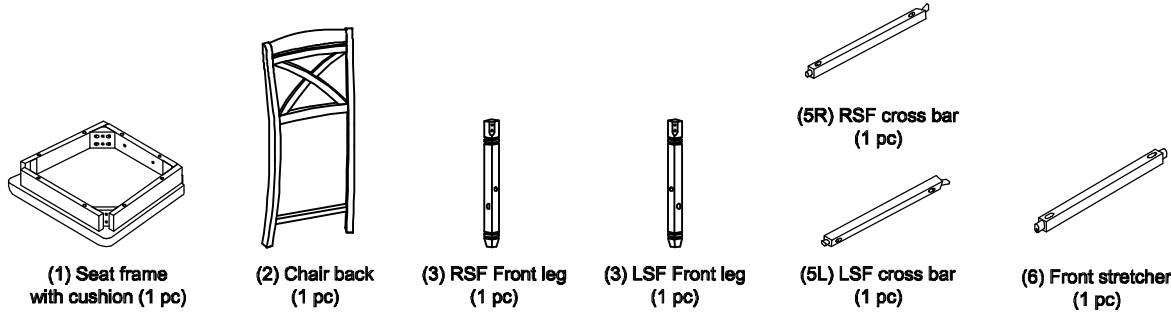
It is recommended to install protective pads under all legs and supports to avoid damage or scratches when placing furniture on a wood floor or other hard surface, and to limit indentation and prevent discoloration if placing on carpet.



# ASSEMBLY INSTRUCTION

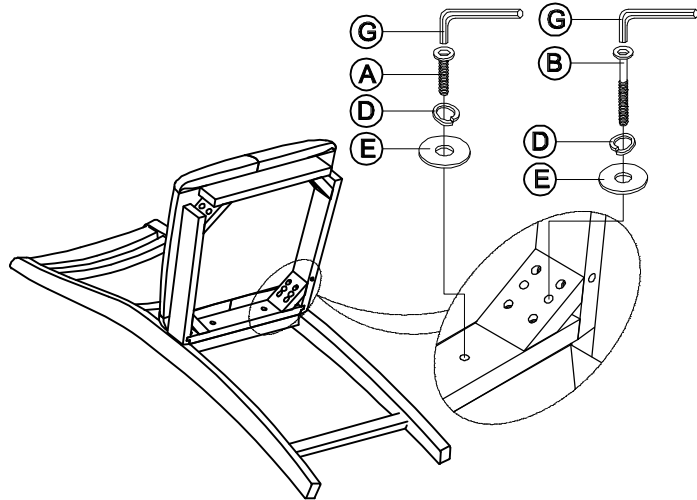
## 5705BK-24 COUNTER HEIGHT CHAIR

### PART LIST:

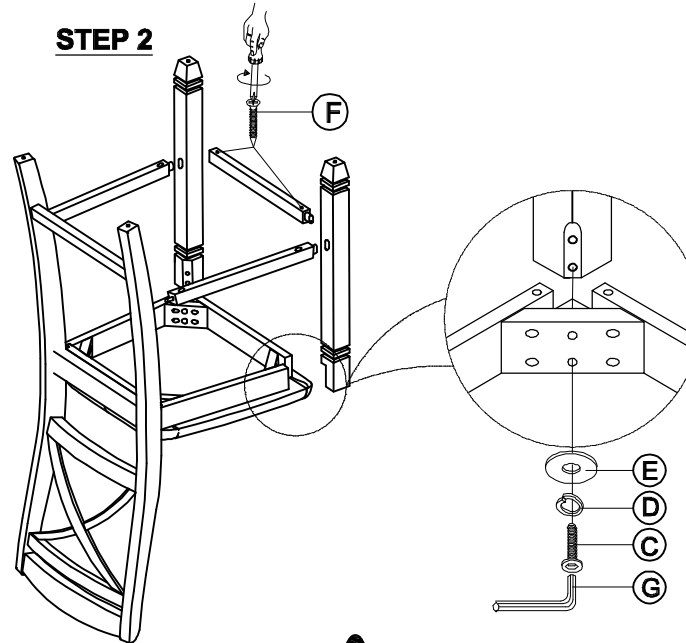


HARDWARE LIST				
A		Short Bolt	Ø1/4" x L40 mm	2 pcs
B		Long Bolt	Ø1/4" x L75 mm	4 pcs
C		Medium Bolt	Ø1/4" x L60 mm	4 pcs
D		Lock Washer	Ø5/16"	10 pcs
E		Flat Washer	Ø5/16" x 13 mm	10 pcs
F		Screw	Ø1/8" x 38 mm	6 pcs
G		L - Allen Key	4*59 mm	1 pc

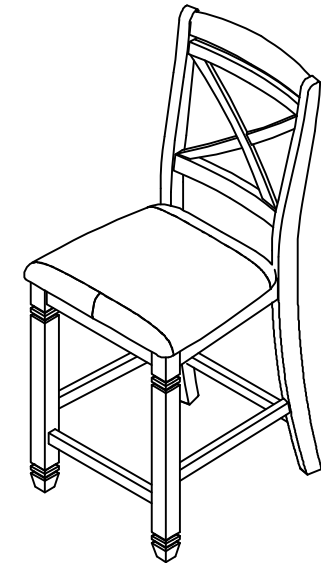
### STEP 1



### STEP 2



### COMPLETED



(1) Align the seat to the chair back, insert the bolt and washer to pre-drilled holes and tighten it.  
 (2) Attach side stretcher to chair back then attach front legs (L & R) to side stretchers (L & R) and seat cushion, insert the nut and washer then tighten front chair to cushion seat. Insert screws to stretcher then tighten by using screwdriver (not provide).

For items use on wooden floor, hard surfaces or carpets, it is recommended to install protective pads under all legs and supports to avoid/ prevent from damages/ scratches and discoloration.