







ASSEMBLY INSTRUCTION

ITEM NO: 9177WABEG-2 LOVESEAT

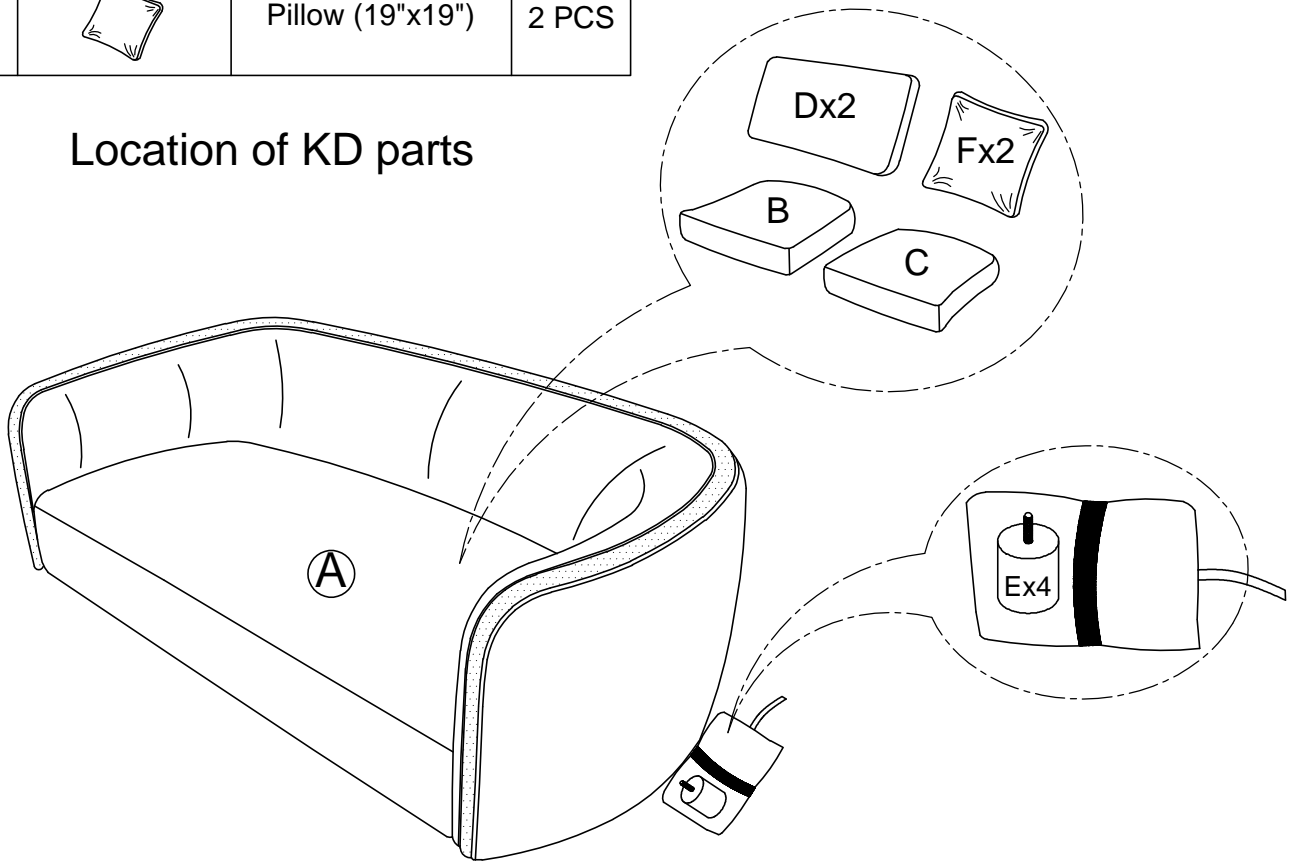


Legs are stored by in the bag, please take out for assembly.

Note: Do not use power tools for assembly. Power tools increase the risk of over tightening which lead to splitting or cracking the wood.

NO.	DRAWING	DESCRIPTION	QTY
A		Seat Frame	1 PC
B		LSF Seat cushion	1 PC
C		RSF Seat Cushion	1 PC
D		Back Cushion	2 PCS
E		Wooden Leg (Ø50*H40mm)	4 PCS
F		Pillow (19"x19")	2 PCS

Location of KD parts



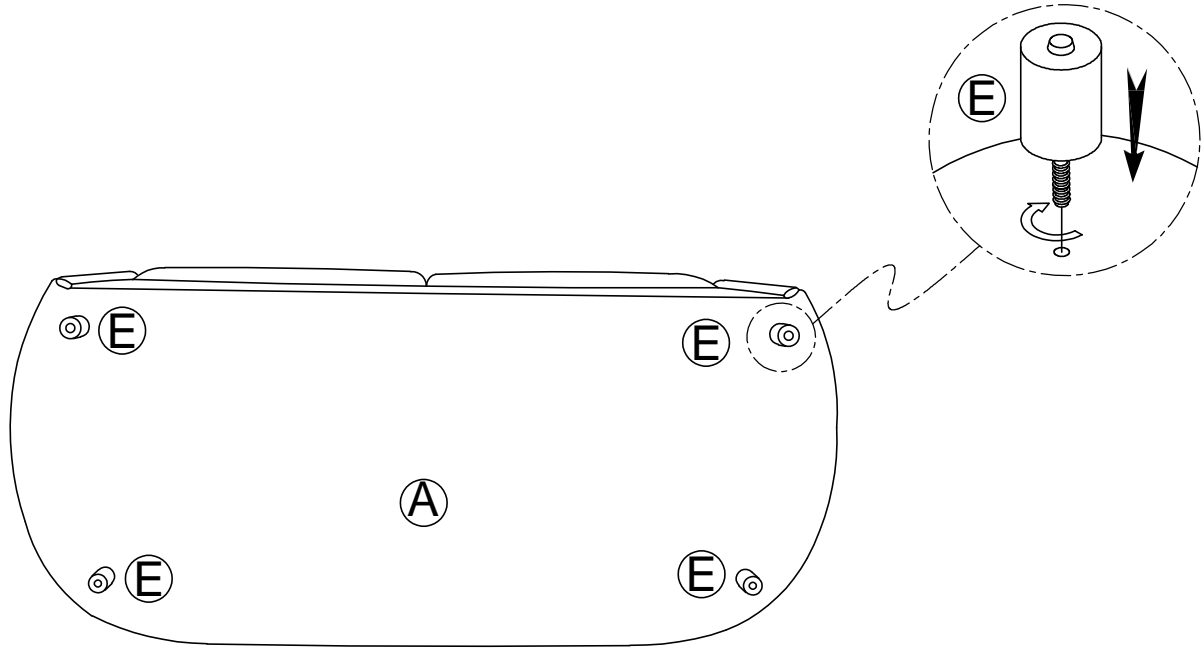


HOME ELEGANCE

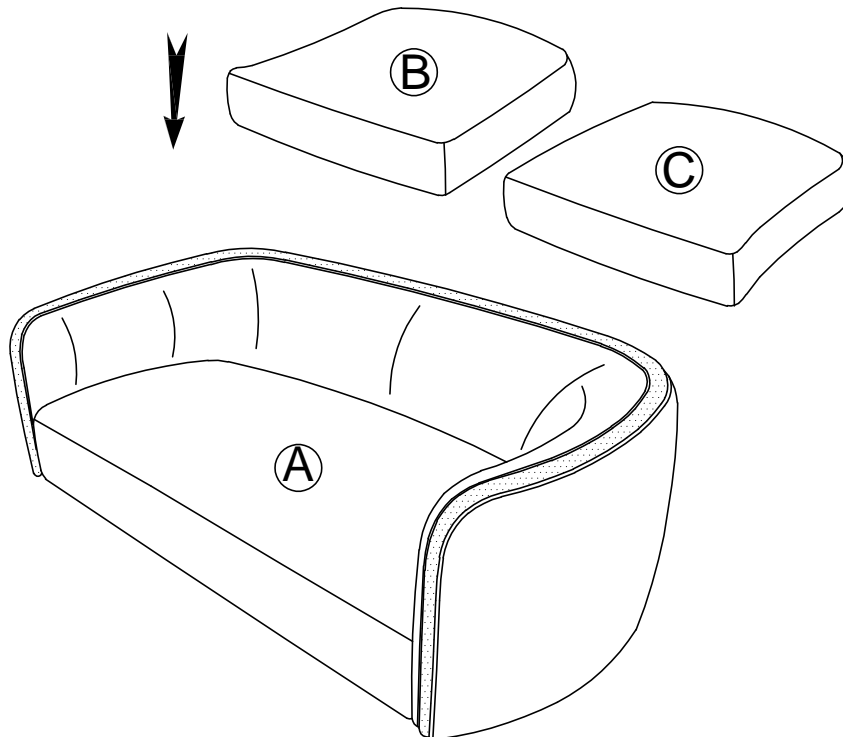
ASSEMBLY INSTRUCTION

ITEM NO: 9177WABEG-2 LOVESEAT

STEP 1: Secure the Wooden Leg (E) to the Seat Frame (A).



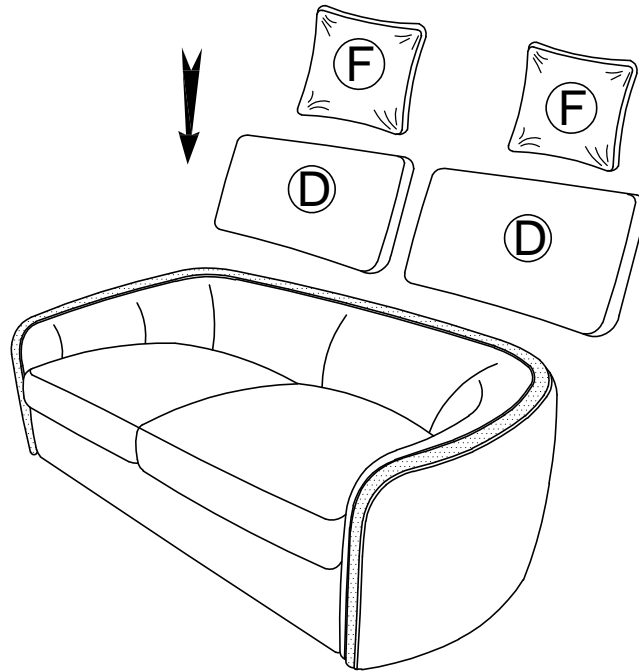
STEP 2: Attach the LSF Seat cushion (B) and RSF Seat Cushion (C) to Seat Frame (A).



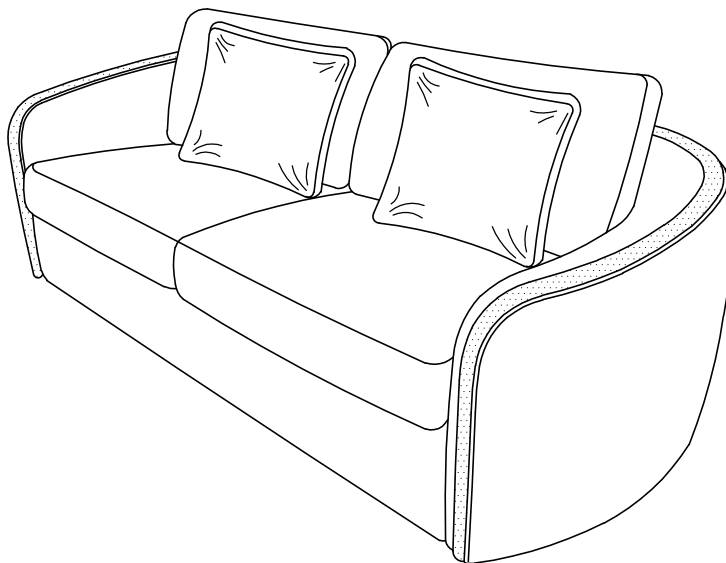
ASSEMBLY INSTRUCTION

ITEM NO: 9177WABEG-2 LOVESEAT

STEP 3:



STEP 4: COMPLETED



Care Instruction for Chenille Furniture:

In order to maintain the original appearance of your Chenille Furniture, please follow below simple care procedures:

- Avoid exposing furniture directly to sunlight or heating and air conditioning outlets. Sunlight and or exposure to heating and air conditioning outlets will fade/damage Chenille.
- Vacuum or wipe with a soft cloth to remove dust.
- Hardware may loosen over time. Periodically check to make sure all connections are tight, Re-tighten if necessary.



For items use on wooden floor, hard surfaces or carpets, it is recommended to Install protective pads under all legs and supports to avoid/prevent from damages/scratches and discoloration.