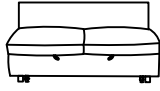

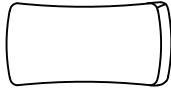


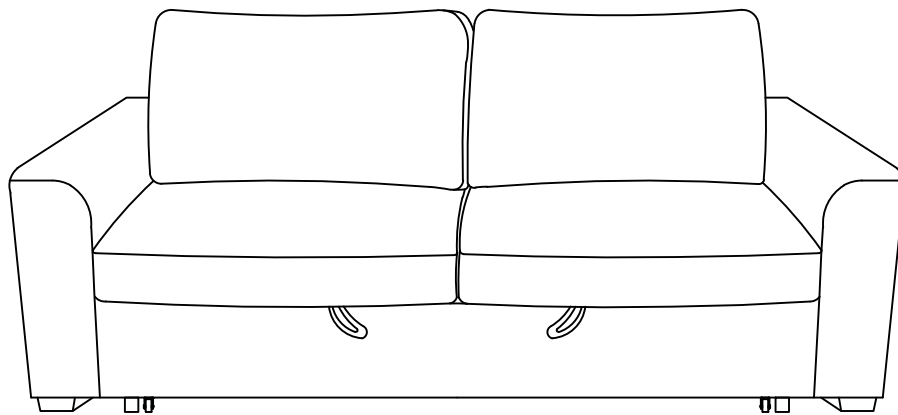
ASSEMBLY INSTRUCTIONS

ITEM NO : 9525RF-3CL
Convertible Studio Sofa with pull-out bed

▲ It is recommended to install protective pads under all legs and supports to avoid damage or scratches when placing furniture on a wood floor or other hard surface, and to limit indentation and prevent discoloration if placing on carpet.

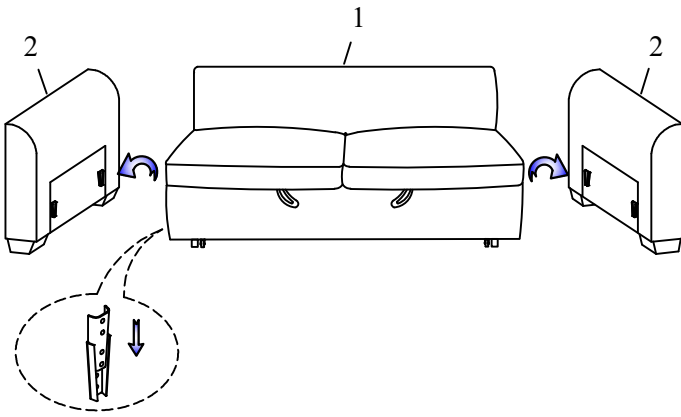
PARTS LIST

NO.	DRAWING	QTY	DESCRIPTION
1		1 PC	Seat Frame
2		2 PCS	Arm
3		2 PCS	Back Cushion



STEP 1 :

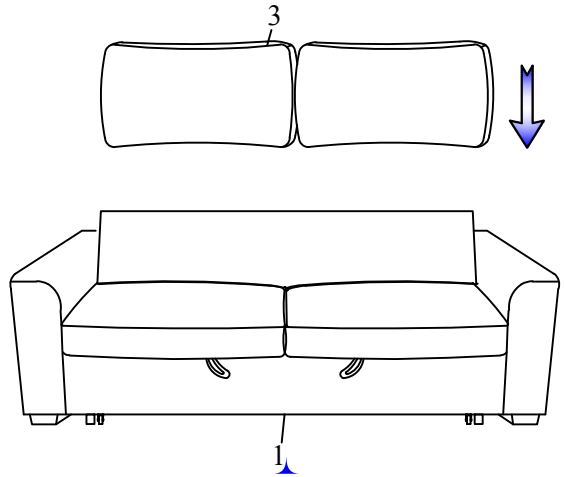
Align brackets on the arms (2) to each side of the seat frame (1) and push down to connect.



Note: Firmly press the seat frame all the way down

STEP 2 :

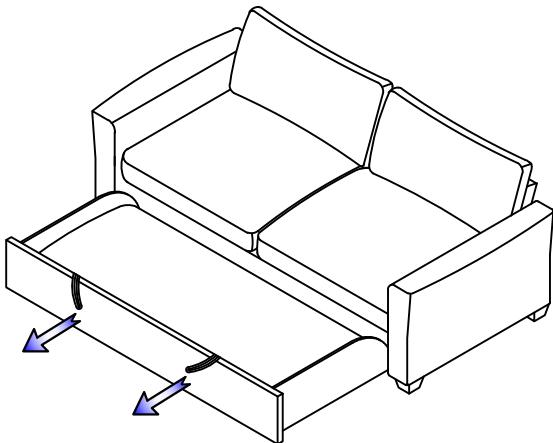
Place Back Cushion (3) to the Back Rest as shown.



STEP 3 : Use as Bed

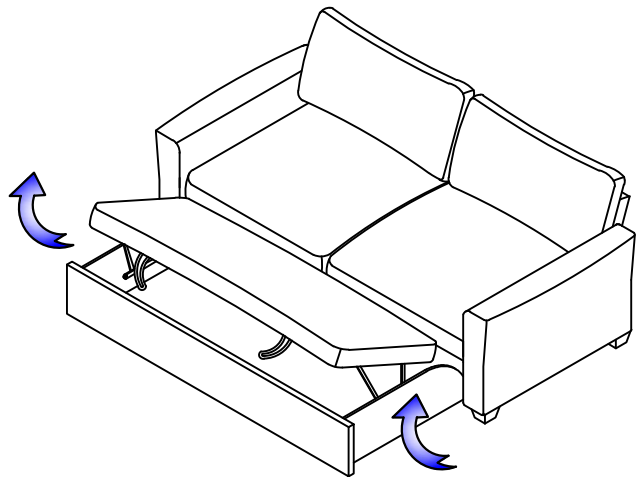
Step 3.1:

Bring forward the pull out bed underneath the seat frame using the straps as shown.



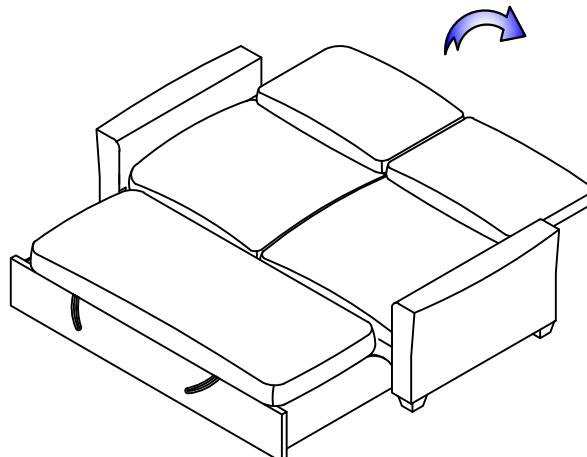
Step 3.2:

Lift up the pull out bed cushion as shown.



Step 3.3:

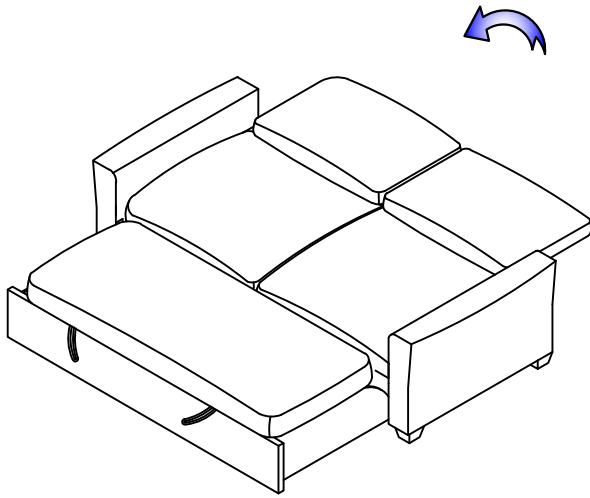
Flatten the back rest by releasing it from upright position.



STEP 4 : Use as Sofa

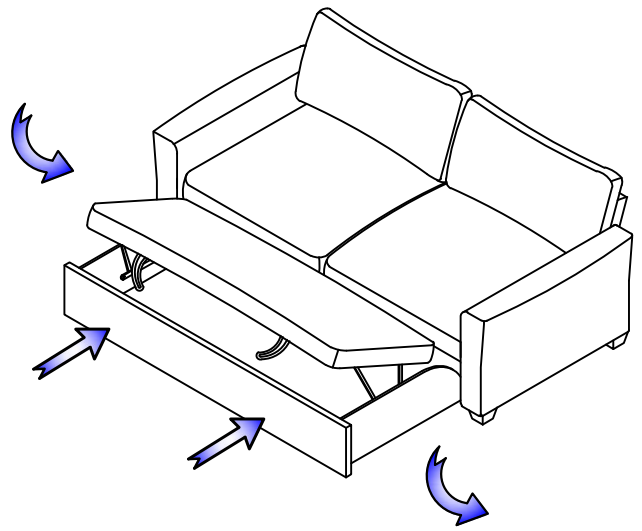
Step 4.1:

Fold the Back Rest to upright position.



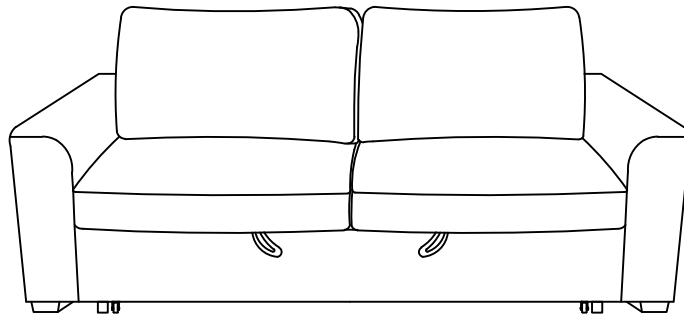
Step 4.2:

Restore the pull out bed under the seat frame as shown.



STEP 5 :

Completed.



CARE INTRUCTION FOR FABRIC FURNITURE

In order to maintain the original appearance of your funiture, please follow below care procedures.

°Avoid exposing furniture directly to sunlight or heating and air conditioning outlets. Sunlight and / or exposure to heading and air conditioning outlets will fade/damage fabric. Do not place your upholstered furniture too close to windows, radiators, r vents and be sure to use window treatments to block the sun's rays.

°Wipe with a soft brush to remove dust.