

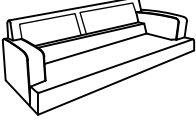
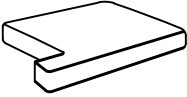
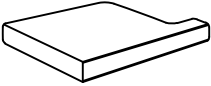
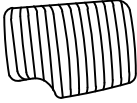
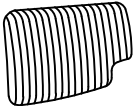


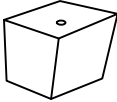


# Assembly Instruction

ITEM NO.: 9558LG-2

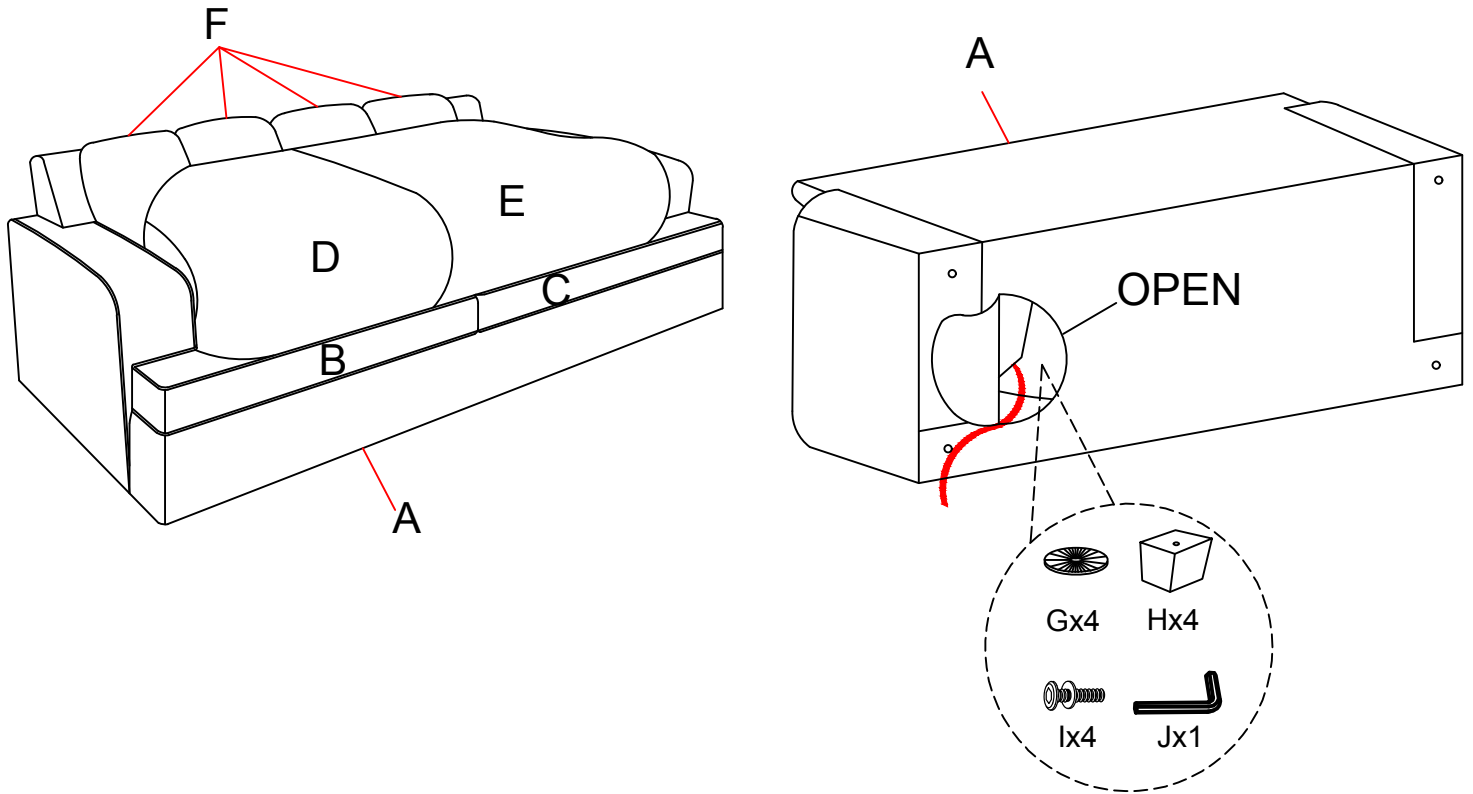
Love Seat (With 4 Pillows, 2 light gray & 2 white)

Note: Do not use power tools for assembly. Power tools increase the risk of over tightening which lead to splitting or cracking the wood.

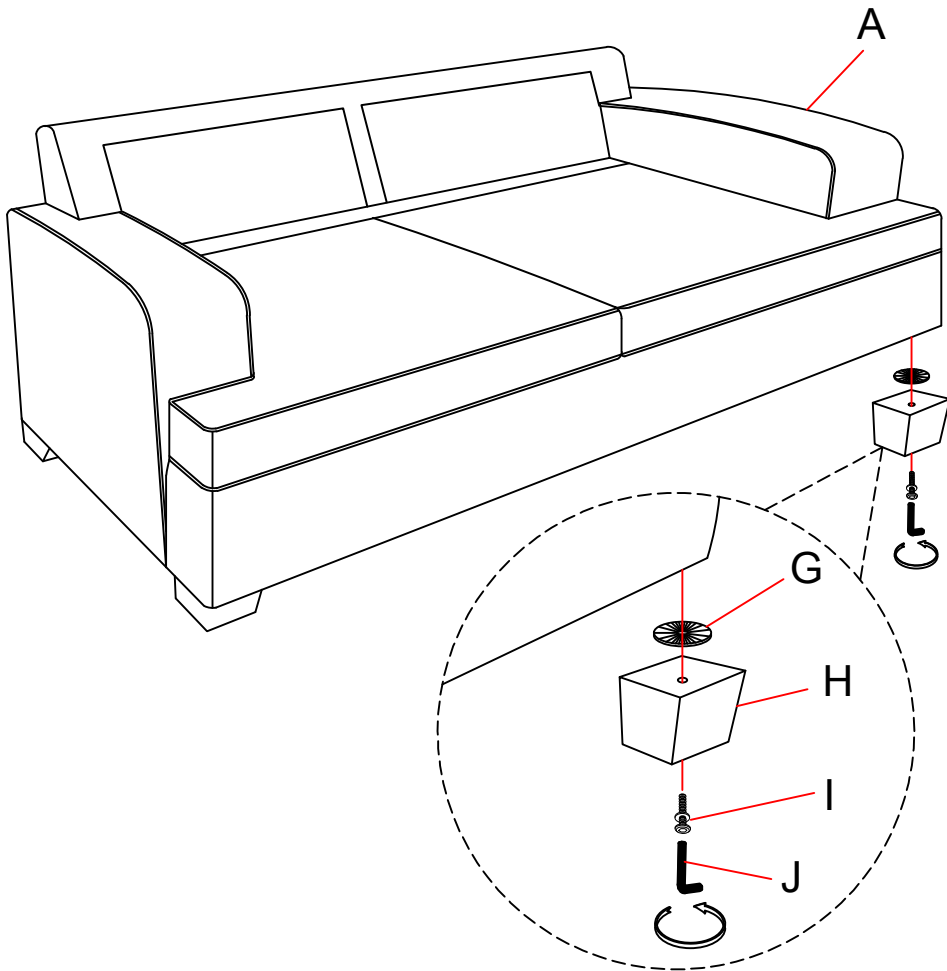
## Component list

No	Drawing	Qty	Description
A		1	SEAT
B		1	LSF SEAT CUSHION
C		1	RSF SEAT CUSHION
D		1	LSF BACK CUSHION
E		1	RSF BACK CUSHION
F		4	PILLOW, 2 light gray & 2 white (18"x18")
G		4	PLASTIC GASKET (φ10φ45)
H		4	WOONDEN LEG (135*135*73H)
I		4	BOLT (5/16" *70MM)
J		1	ALLEN WRENCH (M5*50*100MM)

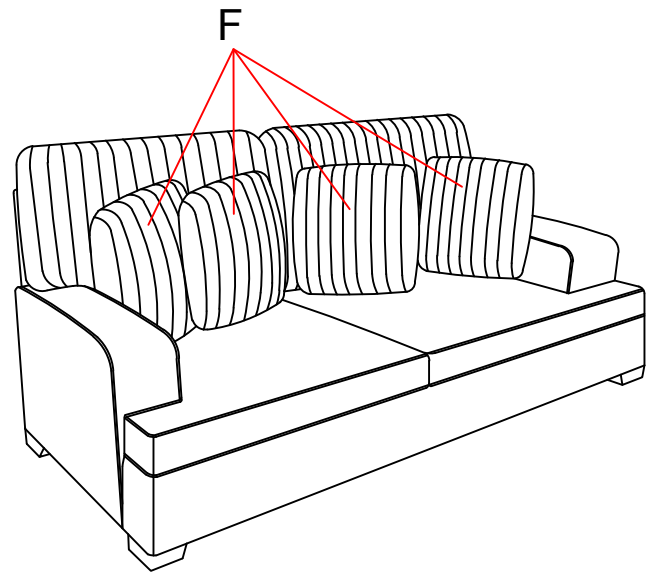
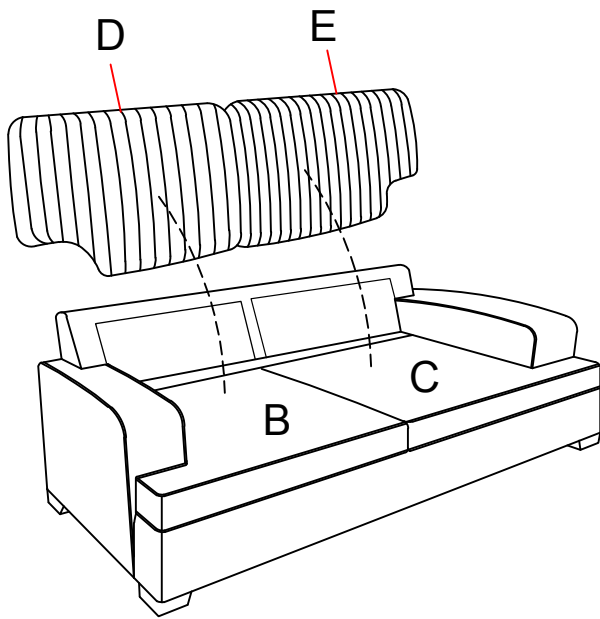
# Step # 1



# Step # 2



## Step # 3



### Care Instruction for Corduroy and Textured Microfiber Furniture:

In order to maintain the original appearance of your Corduroy and Textured Microfiber, please follow below simple care procedures:

- Avoid exposing furniture directly to sunlight or heating and air conditioning outlets. Sunlight and or exposure to heating and air conditioning outlets will fade/damage Corduroy and Textured Microfiber.
- Vacuum or wipe with a soft cloth to remove dust.
- Hardware may loosen over time. Periodically check to make sure all connection are tight, Re-tighten if necessary.



For items use on wooden floor, hard surfaces or carpets, it is recommended to Install protective pads under all legs and supports to avoid/prevent from damages/scratches and discoloration.