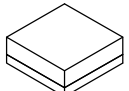




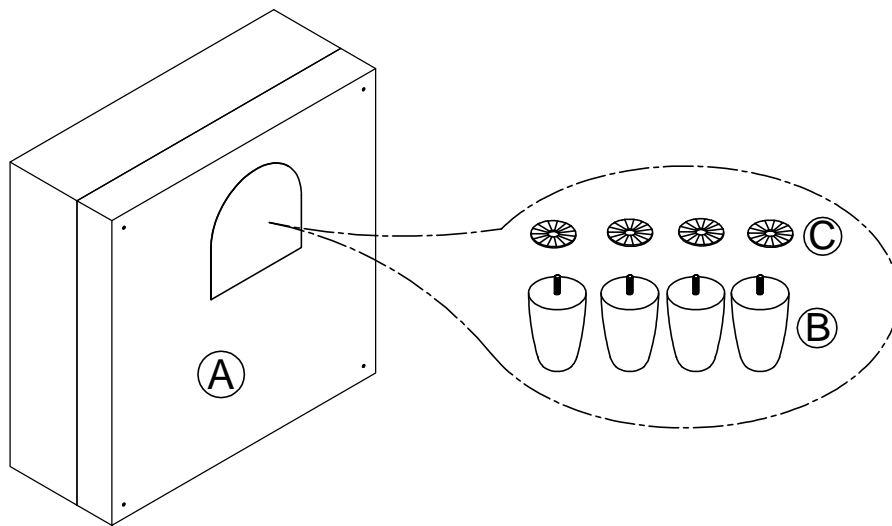
# ASSEMBLY INSTRUCTION

ITEM NO: 9688NBE-4 / OTTOMAN.

LEGS, HARDWARE ARE STORED IN THE BOTTOM OF THE SEAT, PLEASE TAKE OUT FOR ASSEMBLY.

NO.	PARTS LIST	QTY	DESCRIPTION
A		1	Ottoman
B	 Ø3-1/8**5-1/8"	4	Wooden Leg
C		4	Washer

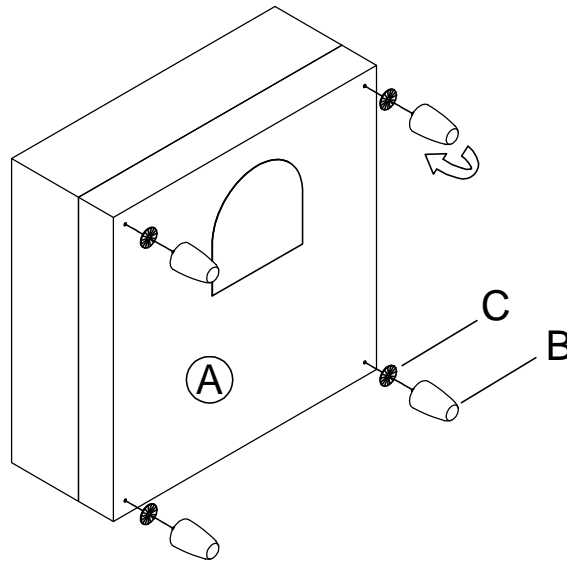
## STEP 1:



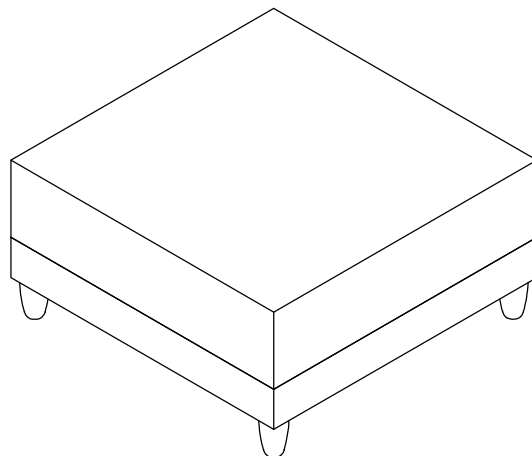
# ASSEMBLY INSTRUCTION

ITEM NO: 9688NBE-4 / OTTOMAN.

## STEP 2:



## STEP 3 (Completed) :



### CARE INSTRUCTION FOR FABRIC FURNITURE

In order to maintain the original appearance of your fabric furniture, please follow below simple care procedures.


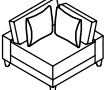
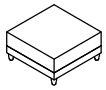
°Avoid exposing furniture directly to sunlight or heating and air conditioning outlets. Exposure to sunlight or heating and air conditioning outlets will fade/damage fabric.

°Wipe gently with a damp soft cloth to remove dust, dirt and any grime build up.

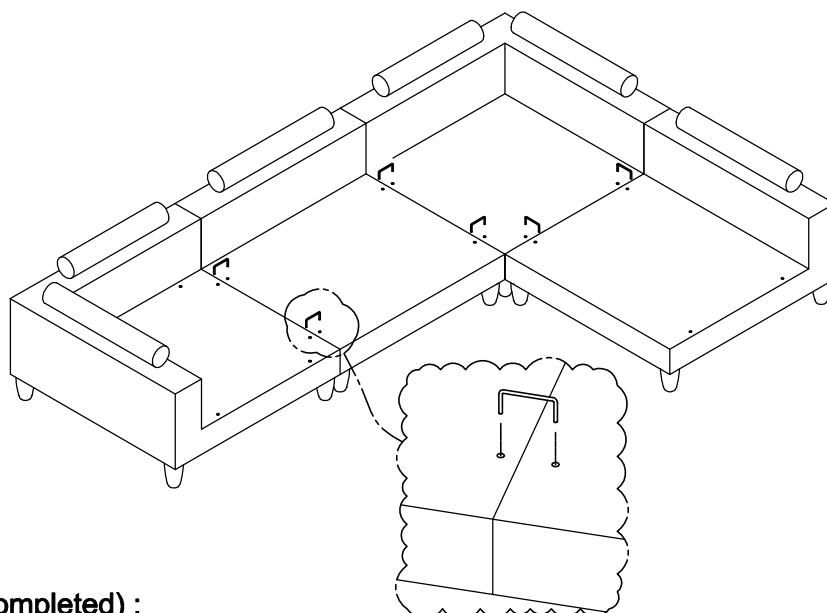
Hardware may loosen over time. Periodically check to make sure all connections are tight. Re-tighten if necessary.

# ASSEMBLY INSTRUCTION

ITEM NO: 9688NBE

NO.	PARTS LIST	QTY	DESCRIPTION
A		2	9688NBE-AC
B		2	9688NBE-CR
C		1	9688NBE-4

**STEP 1 :**



**STEP 2 (Completed) :**

