



H O M E E L E G A N C E

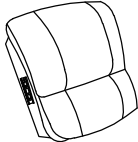


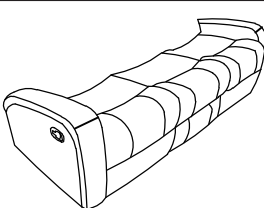
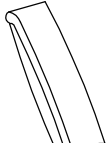
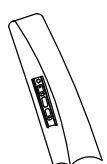
Assembly Instruction

ITEM NO.: 9735BRW-3
DOUBLE RECLINING SOFA

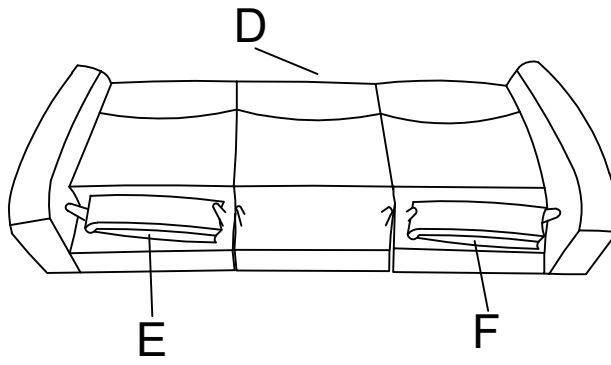


Note: Do not use power tools for assembly. Power tools increase the risk of over tightening which lead to spliting or cracking the wood.

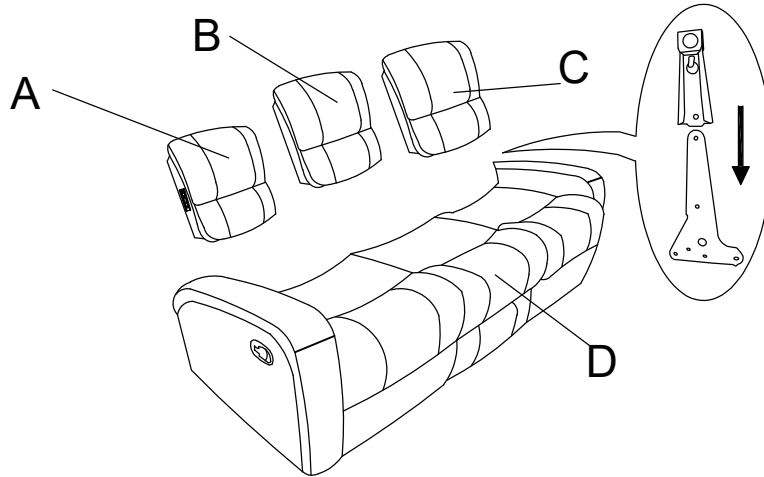
Component list

No	Drawing	Qty	Description
A		1	LSF BACK
B		1	MIDDLE BACK
C		1	RSF BACK
D		1	SEAT
E		1	LSF EAR
F		1	RSF EAR

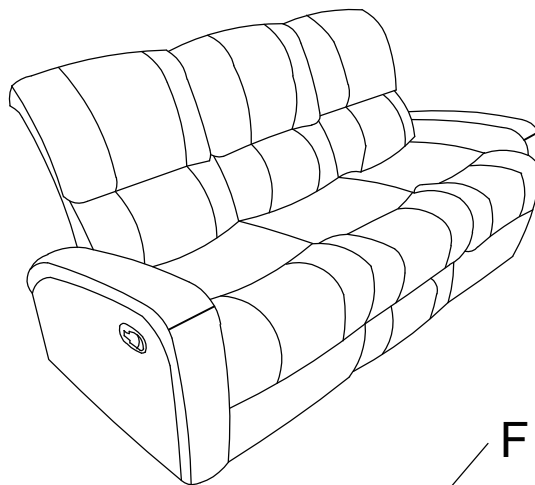
Step #1



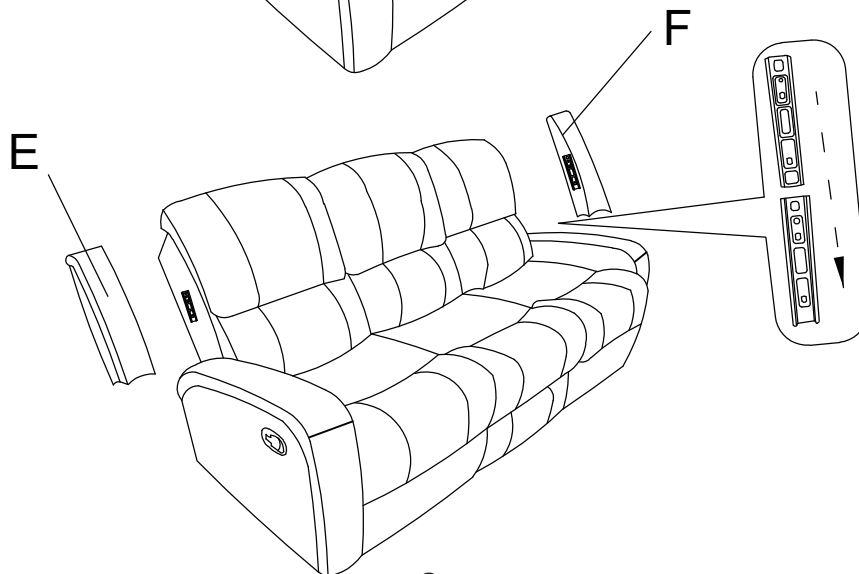
Step #2



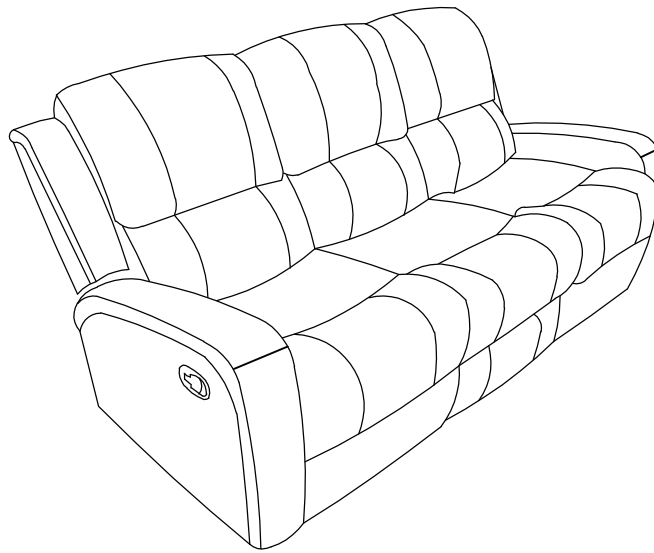
Step #3



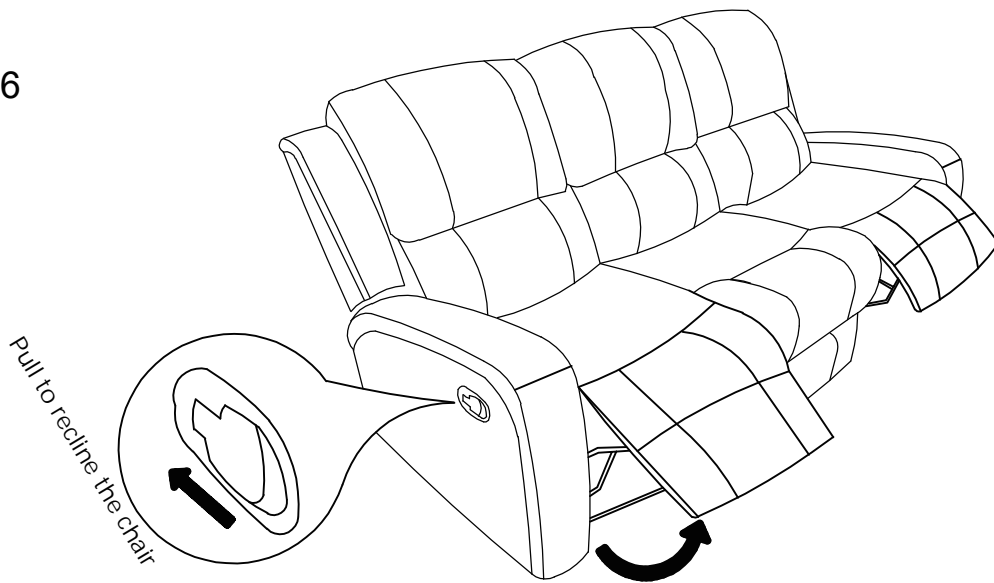
Step #4



Step #5



Step #6



Care Instruction for CHENILLE Furniture

In order to maintain the original appearance of your CHENILLE Furniture please follow below simple care procedures:

- Avoid exposing furniture directly to sunlight or heating and air conditioning outlets. Sunlight and or exposure to heating and air conditioning outlets will fade/damage CHENILLE.
- Vacuum or wipe with a soft cloth to remove dust.
- Hardware may loosen over time. Periodically check to make sure all connection are tight, Re-tighten if necessary.



For items use on wooden floor, hard surfaces or carpets, it is recommended to install protective pads under all legs and supports to avoid/prevent from damages/scratches and discoloration.