

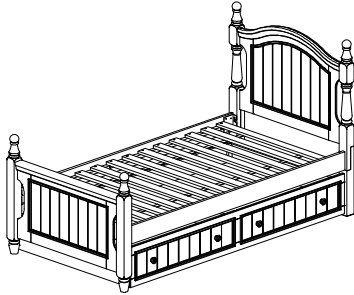


H O M E E L E G A N C E

## ASSEMBLY INSTRUCTION INSTRUCTIONS D'ASSEMBLAGE

Item No : B1799-R

Description : TWIN TRUNDLE / LIT JUMEAUX LIT GIGOGNE  
FULL TRUNDLE / LIT DOUBLE LIT GIGOGNE



### IMPORTANT NOTE :

- Place all wooden parts on a clean and smooth surface such as a rug or carpet to avoid the parts from being scratched.
- Check to be sure that you have all parts and hardware.
- Remove all wrapping materials, including staples & packing straps before you start to assemble.
- Do not tighten all screws / bolts until all completely assembled.
- Keep all hardware parts out of reach of children.

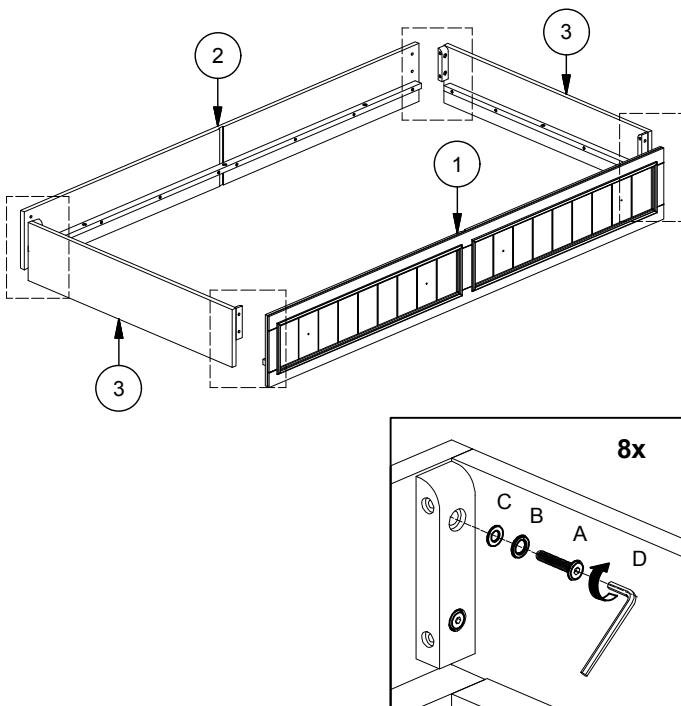
PART LIST LISTE DE PIÈCES		
NO	DESCRIPTION	QTY/PCS
1	FRONT PANEL / FACES AVANT DE TIROIR	1 PC
2	BACK PANEL / PANNEAU ARRIERE	1 PC
3	SIDE PANEL / PANNEAUX LATÉRAUX DU TIROIR	2 PCS
4	BOTTOM PANEL / PANNEAU DE FOND	2 PCS
5	HORIZONTAL BOTTOM RAIL / LONGERON DE FOND HORIZONTAL	1 PC
6	RAIL WITH CASTOR / LONGERON ROULETTE	2 PCS
7	RAIL WITHOUT CASTOR / LONGERON	1 PC
8	CENTER PANEL / PANNEAU DE CENTRE	1 PC

HARDWARE LIST LISTE DE QUINCAILLERIE		
NO	DESCRIPTION	QTY/PCS
A	JCBC SCREW / BOULON M6 x 30	19 PCS
B	SPRING WASHER / RONDELLE D'ARRET M6	19 PCS
C	FLAT WASHER / RONDELLE PLATE M6	19 PCS
D	ALLEN KEY (LONG WITH BALL) / CLE' ALLEN M4	1 PC
E	HANDLE WITH SCREW / POIGNEE POUR TIROIR	4 PCS

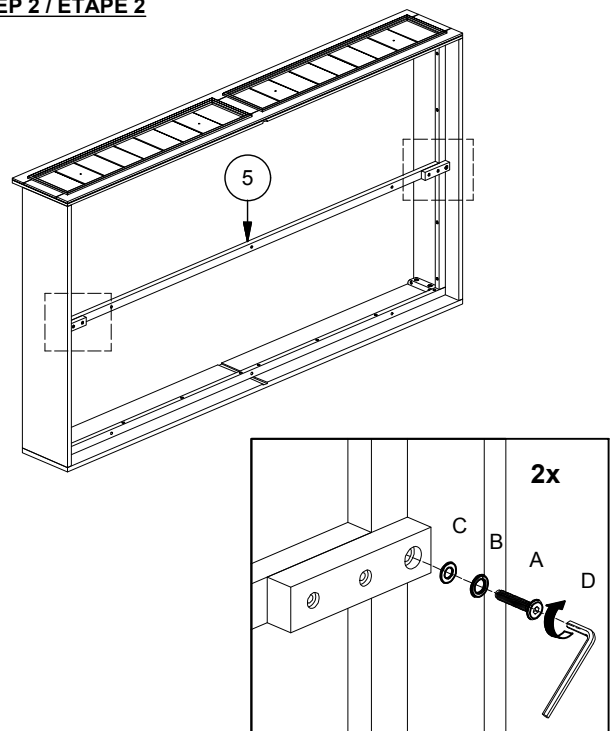
\*HARDWARE SET IS IN B1799-R FOR ASSEMBLY

NOTE : YOU WILL ALSO NEED A PHILIP SCREWDRIVER (NOT PROVIDED)

### STEP 1 / ÉTAPE 1



### STEP 2 / ÉTAPE 2





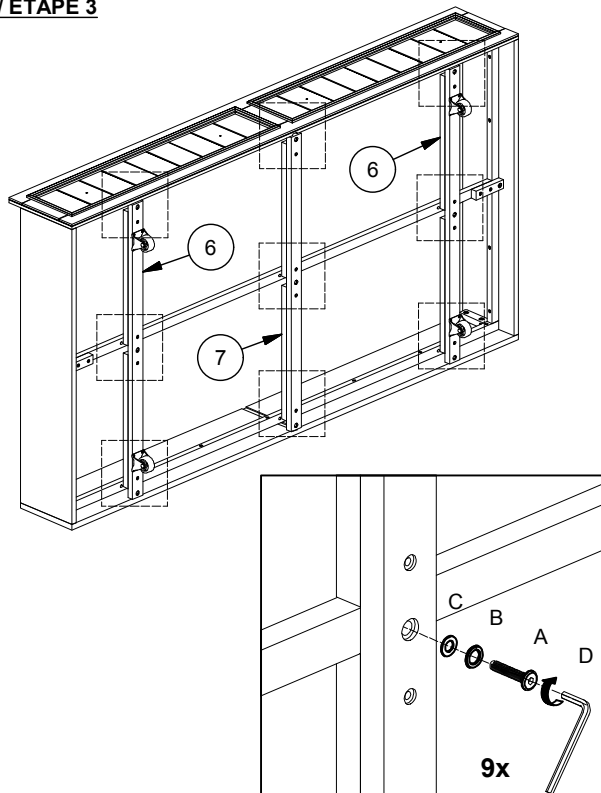
H O M E E L E G A N C E

## ASSEMBLY INSTRUCTION INSTRUCTIONS D'ASSEMBLAGE

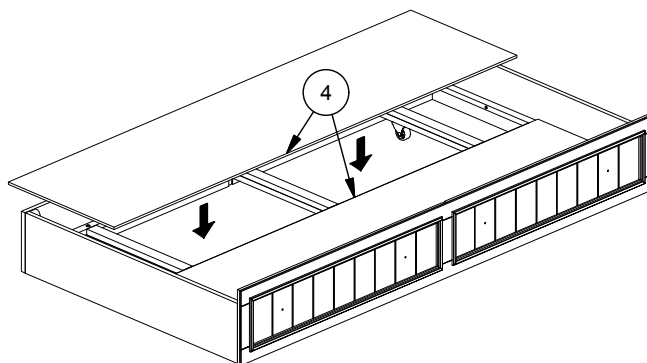
Item No : B1799-R

Description : TWIN TRUNDLE / LIT JUMEAUX LIT GIGOGNE  
FULL TRUNDLE / LIT DOUBLE LIT GIGOGNE

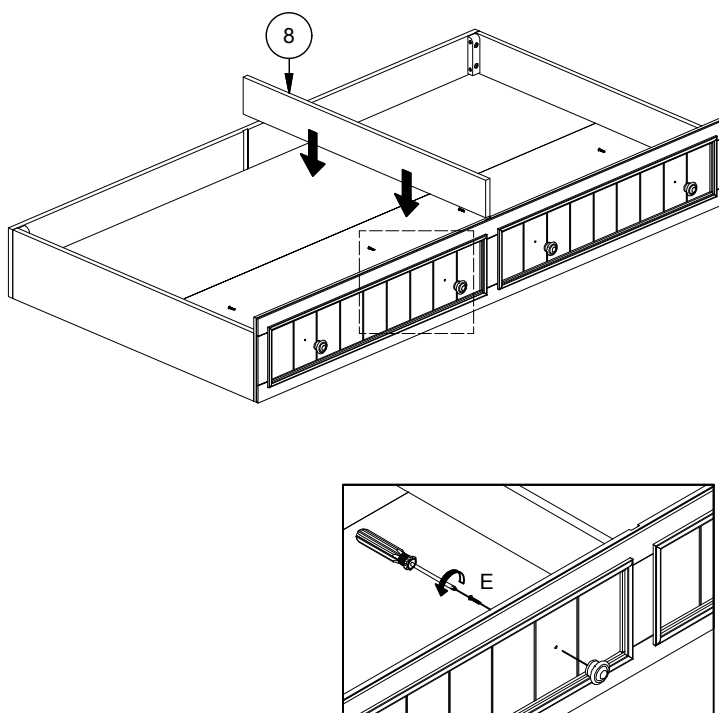
### STEP 3 / ETAPE 3



### STEP 4 / ETAPE 4



### STEP 5 / ETAPE 5



### STEP 6 / ETAPE 6

