












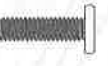









**PART LIST:**

- |   |   |   |   |
|---|---|---|---|
| <p><b>A: LSF HB FOR ALL SIZE BED</b><br/>1PCS</p>  | <p><b>B: RSF HB LEG FOR ALL SIZE BED</b><br/>1PCS</p>  | <p><b>C: HEADBOARD CONNECTOR BAR</b><br/>3PCS</p>  | <p><b>D: HEADBOARD</b><br/>3PCS</p>                |
| <p><b>E: FOOTBOARD</b><br/>1PC</p>                 | <p><b>F: SIDE RAIL</b><br/>2PCS</p>                    | <p><b>G: SIDE RAIL</b><br/>2PCS</p>                | <p><b>H: CENTER CROSS BAR</b><br/>1PC</p>          |
| <p><b>I: SUPPORT LEG</b><br/>3PCS</p>              | <p><b>J: SUPPORT LEG</b><br/>2PCS</p>                  | <p><b>K: SIDE CROSS BAR</b><br/>2PCS</p>          | <p><b>L: CENTER RAIL SUPPORT BAR</b><br/>2PCS</p>  |

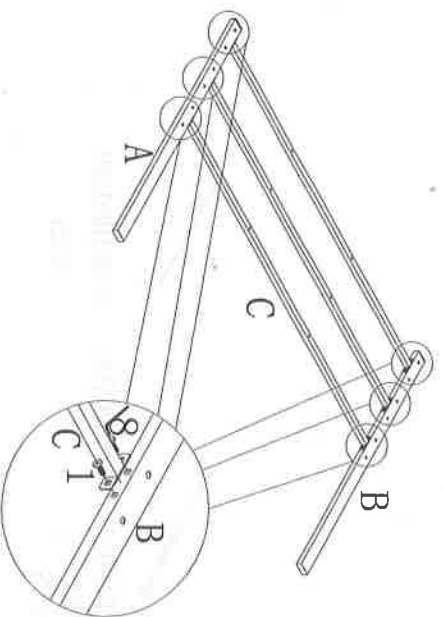


**HARDWARE SET:**

- |  |  |  |  |   |
|--|--|--|--|---|
| <p><b>1: Bolt</b><br/>1/4*17.5mm<br/>X 20pcs</p>  | <p><b>2: Bolt</b><br/>1/4*22mm<br/>X 12pcs</p>  | <p><b>3: Bolt</b><br/>5/16*19mm<br/>X 8pcs</p>  | <p><b>4: Bolt</b><br/>1/4*40mm<br/>X 6pcs</p>  | <p><b>5: Bolt</b><br/>1/4*30mm<br/>X 18pcs</p>  |
| <p><b>6: Nut</b><br/>1/4<br/>X 6psc</p>           | <p><b>7: Washer</b><br/>1/4<br/>X 22psc</p>     | <p><b>8: L-Allen Key</b><br/>X 1pc</p>          | <p><b>9: Wrench</b><br/>X 1PC</p>               |   |

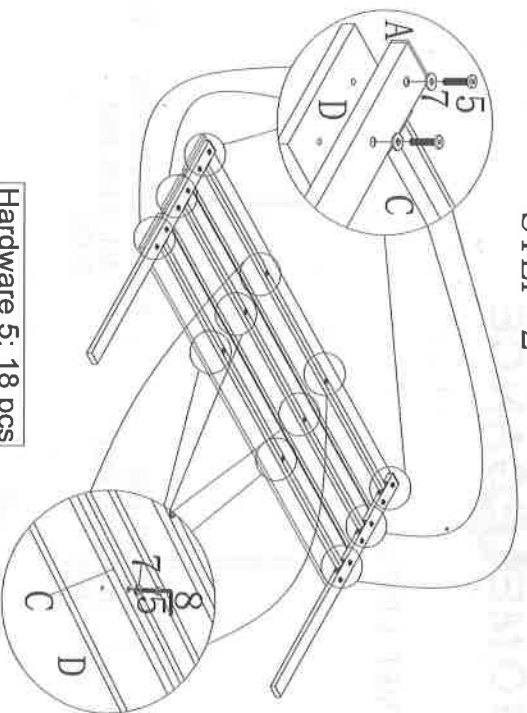
Note: Please do not tighten all bolts until the bed is assembled completely.

STEP 1



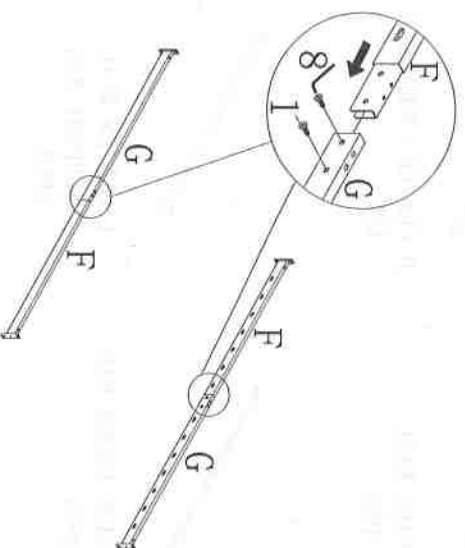
Hardware 1: 12 pcs

STEP 2



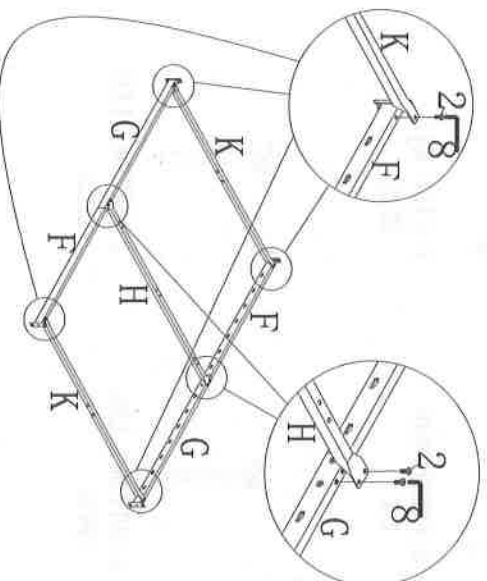
Hardware 5: 18 pcs

STEP 3



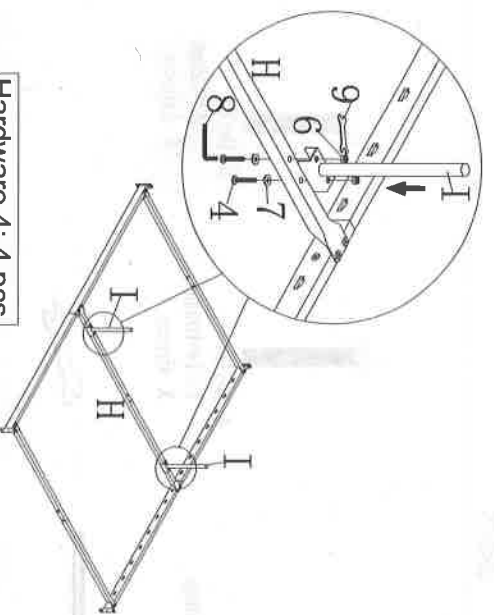
Hardware 1: 4 pcs

STEP 4



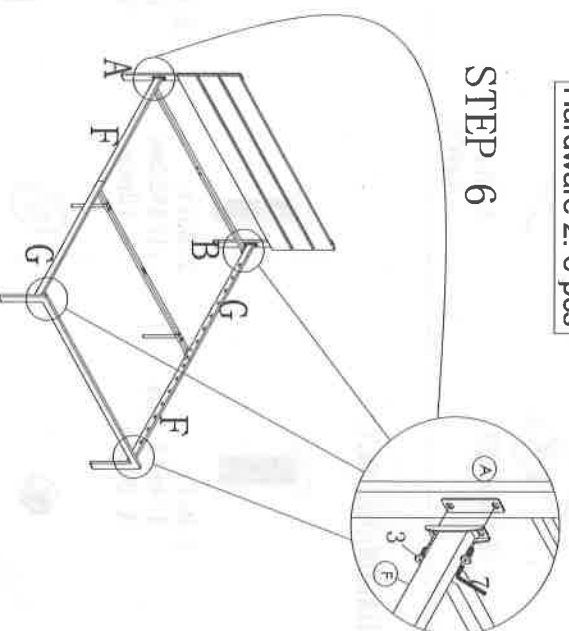
Hardware 2: 8 pcs

STEP 5



Hardware 4: 4 pcs  
Hardware 6: 4 pcs  
Hardware 7: 4 pcs

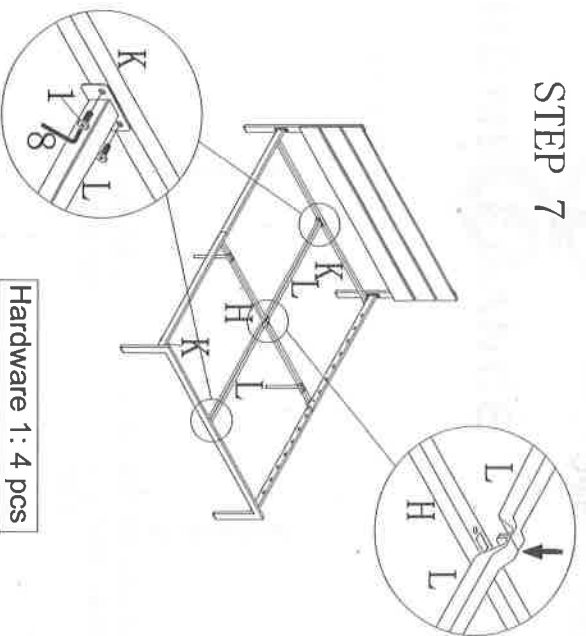
STEP 6



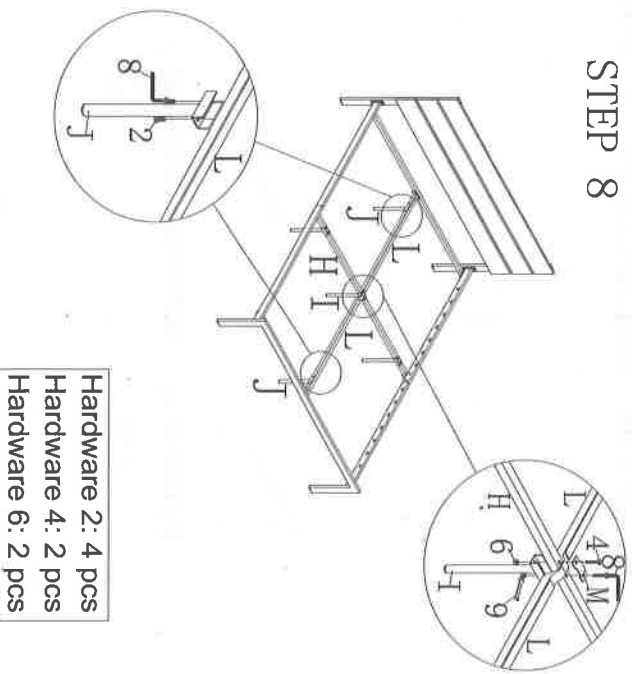
Hardware 3: 8 pcs

Note: Please do not tighten all bolts until the bed is assembled completely.

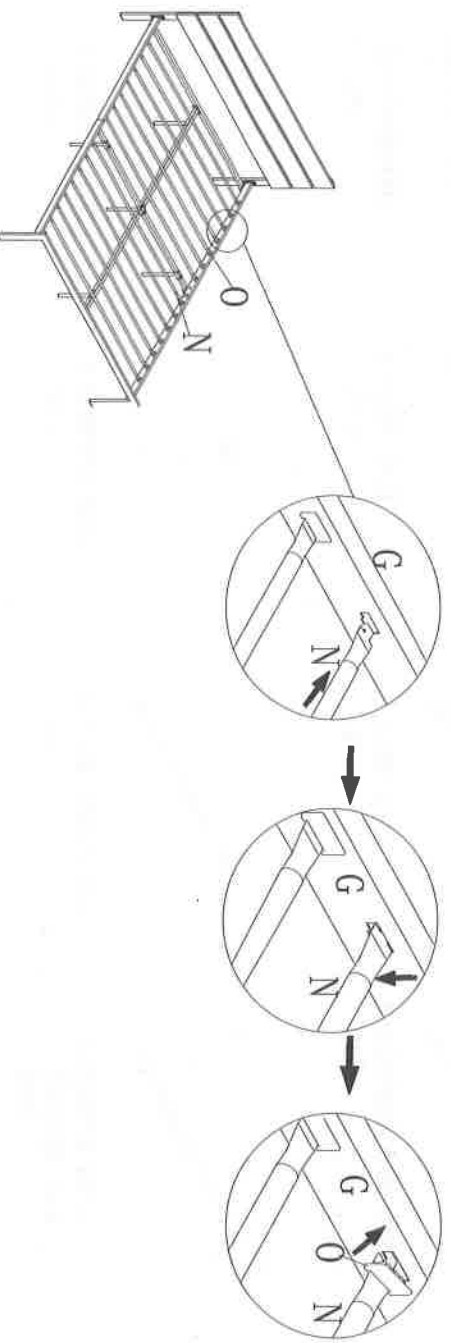
STEP 7



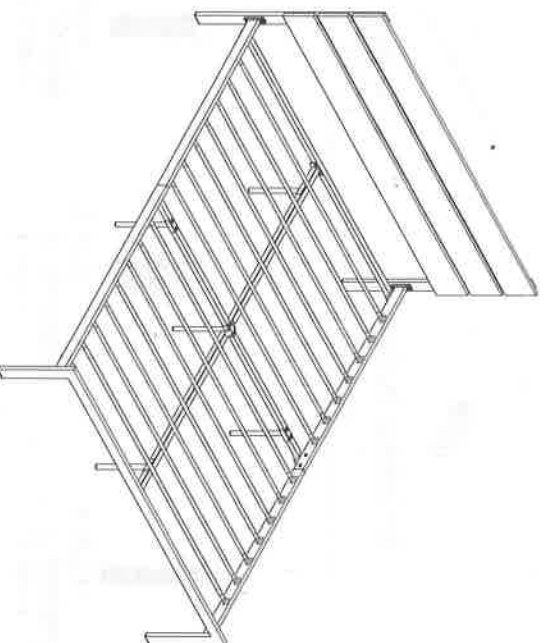
STEP 8



STEP 9



COMPLETED



 For items use on wooden floor, hard surfaces or carpets, it is recommended to install protective pads under all legs and supports to avoid/prevent from damages/scratches and discoloration.