
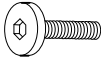
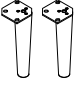

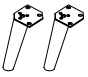




# ASSEMBLING INSTRUCTIONS

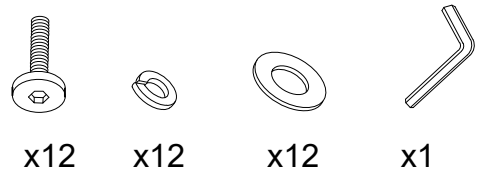
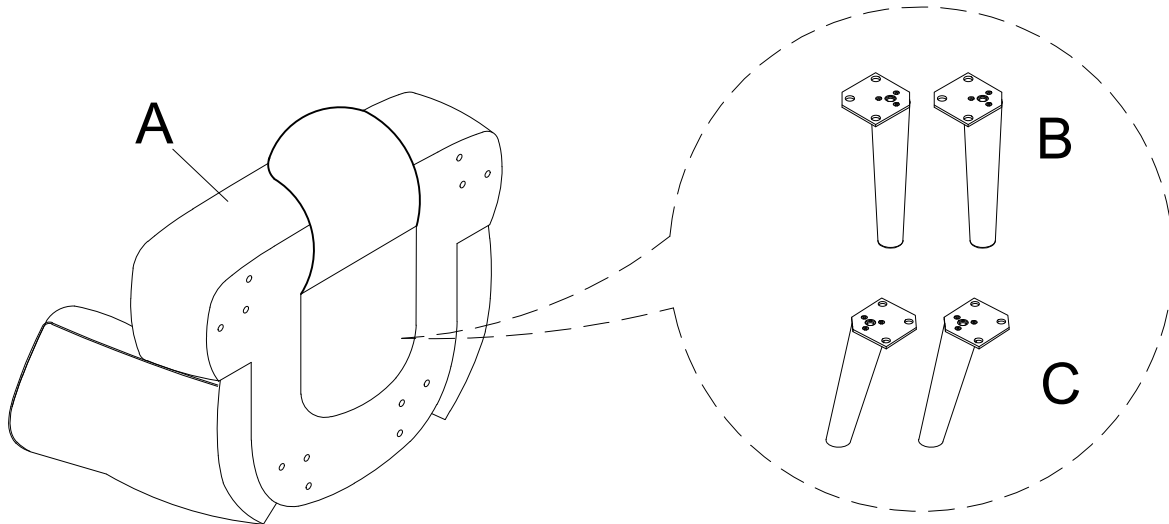
ITEM NO: 1053DG-1/ 1053BU-1/ 1051GY-1

Accent Chair

**!** Legs and hardware are stored in the bottom of the seat, please take them out for assembly.  
**Note:** Do not use power tools for assembly. Power tools increase the risk of over tightening which lead to splitting or cracking the wood.

| PART | DRAWING   | DESCRIPTION                              | QTY   | PART | DRAWING   | DESCRIPTION                | QTY    |
|------|---|--|-------|------|---|----------------------------|--------|
| A    |  | Seat                                     | 1 PC  | 1    |   | Bolt<br>Ø5/16"×1"          | 12 PCS |
| B    |  | Front Wooden Leg<br>3-1/4"×3-1/4"×8-3/4" | 2 PCS | 2    |  | Spring Washer<br>Ø5/16"    | 12 PCS |
| C    |  | Rear Wooden Leg<br>3-1/4"×3-1/4"×8-1/3"  | 2 PCS | 3    |  | Flat Washer<br>Ø5/16"×3/4" | 12 PCS |
|      |   |  |       | 4    |   | Allen Key M4               | 1 PC   |

## STEP 1:



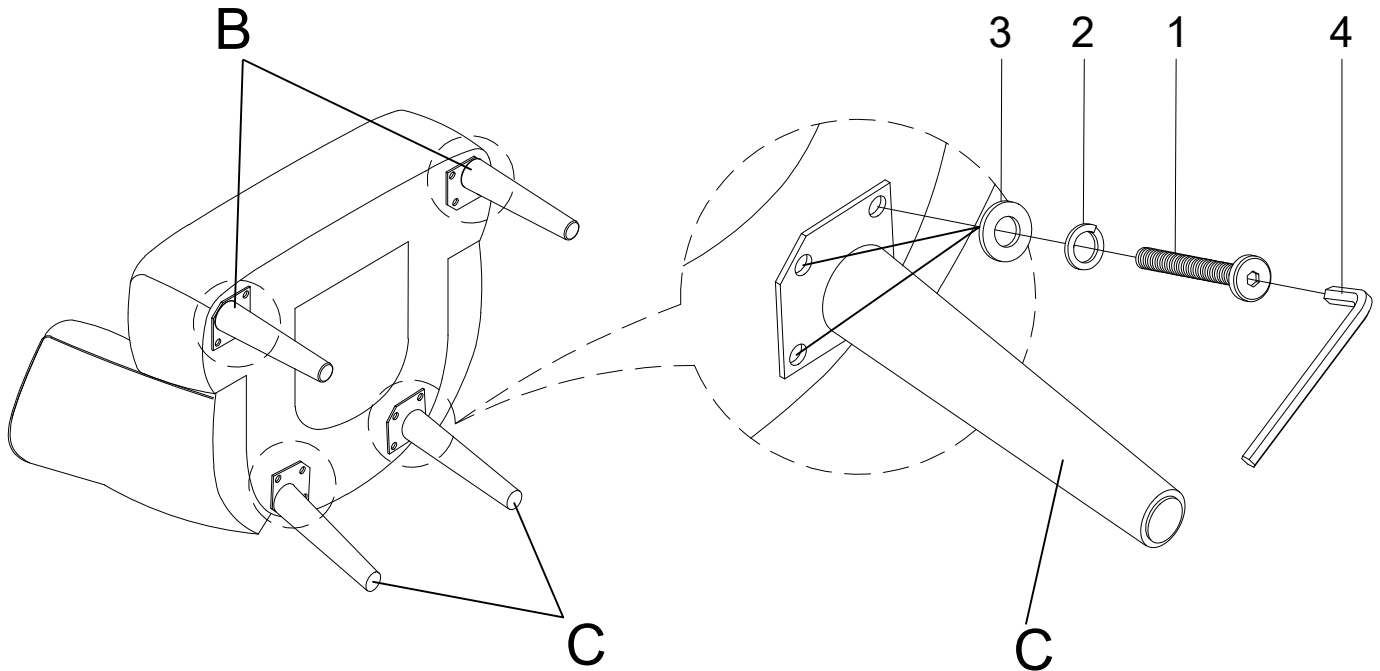


# ASSEMBLING INSTRUCTIONS

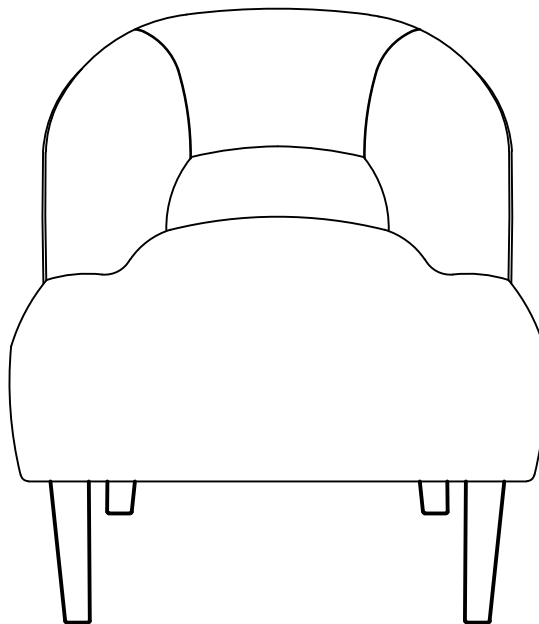
ITEM NO: 1053DG-1/ 1053BU-1/ 1051GY-1

Accent Chair

STEP 2:



COMPLETED



### Care Instruction for Velvet Furniture:

In order to maintain the original appearance of your velvet furniture, please follow below simple care procedures:

- Avoid exposing furniture directly to sunlight or heating and air conditioning outlets.
- Sunlight and or exposure to heating and airconditioning outlets will fade/damage velvet.
- Vacuum or wipe with a soft cloth to remove dust.
- Hardware may loosen over time. Periodically check to make sure all connection are tight, Re-tighten if necessary



For item use on wooden floor, hard surfaces or carpets, it is recommended to install protective pads under all legs and supports to avoid/prevent from damages/scratches and discoloration.