








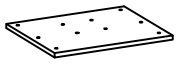
Assembly Instruction

ITEM#: DINING TABLE


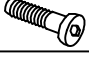



1468-108 (1/2) DOUBLE PEDESTAL DINING TABLE-T

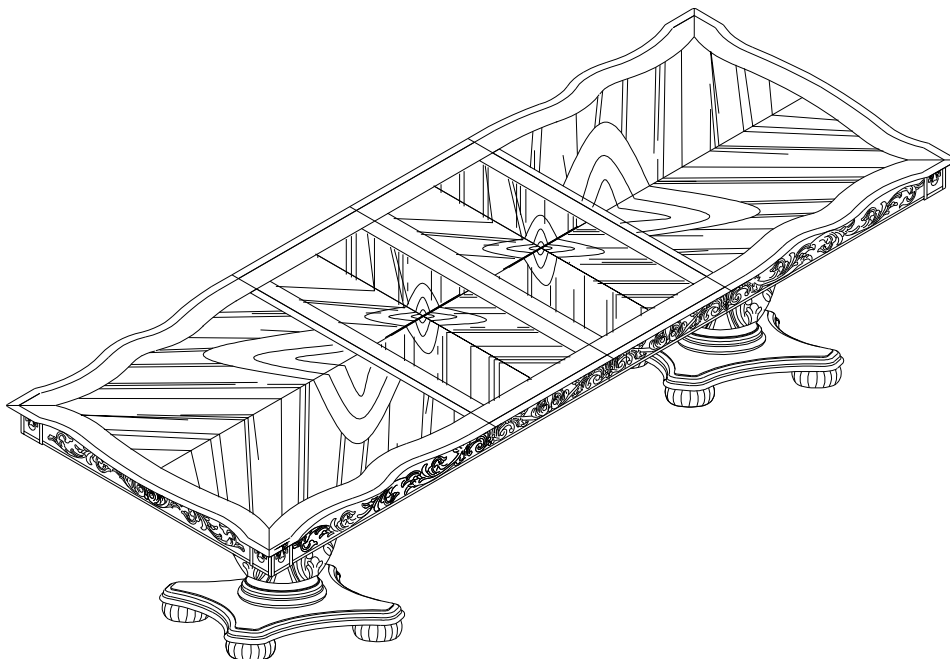
1468-108B (2/2) DOUBLE PEDESTAL DINING TABLE-B

PART LIST

1		TABLE TOP	1 PC
2		LEAF	2 PCS
3		PEDESTAL	2 PCS
4		BOTTOM PANEL	2 PCS
5		BUN FOOT	8 PCS
6		MOUNTING PANEL	2 PCS

HARDWARE LIST

A		ALLEN KEY 5/16"	1 PC
B		LONG BOLT 5/16"x2-1/2"	28 PCS
C		SHORT BOLT 5/16"x1-3/4"	16 PCS
D		SPRING WASHER 5/16"	44 PCS
E		FLAT WASHER 5/16"x22mm	44 PCS

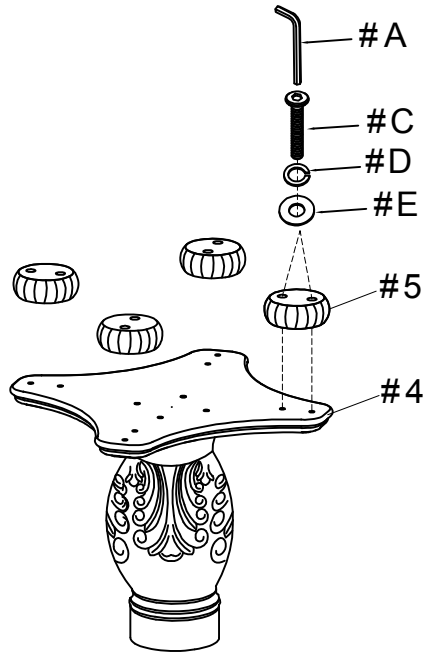
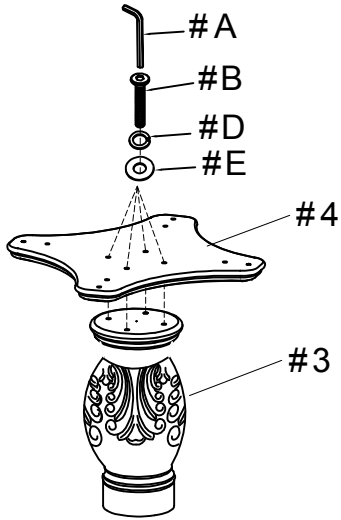


STEP 1

x 2

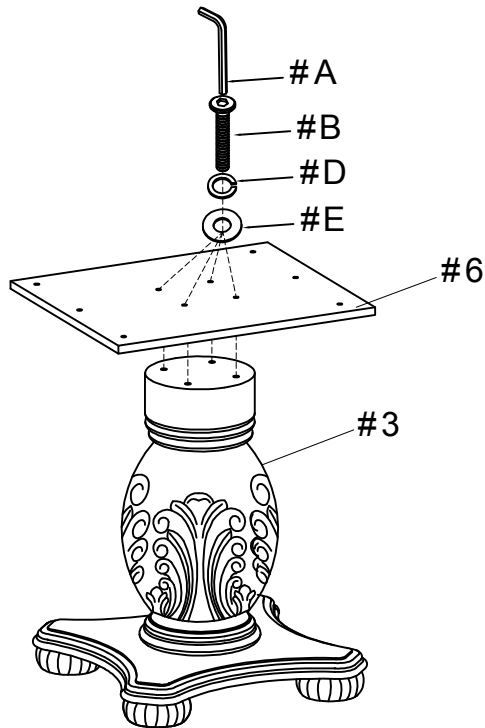
STEP 2

x 2

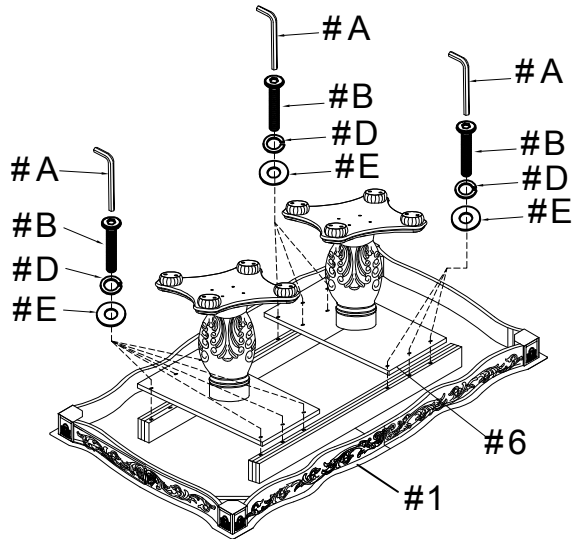


STEP 3

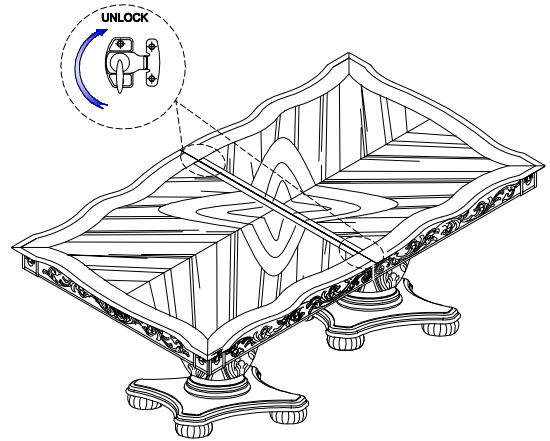
x 2



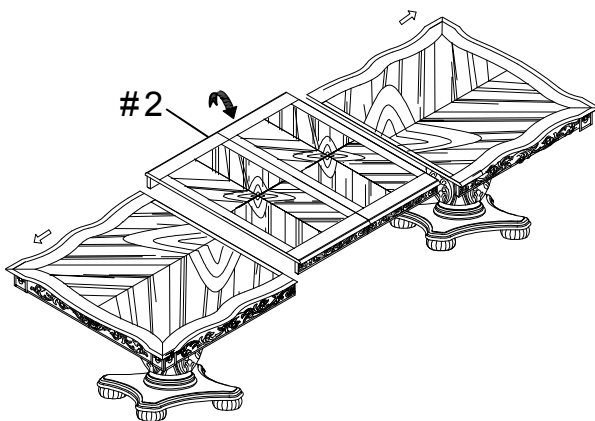
STEP 4



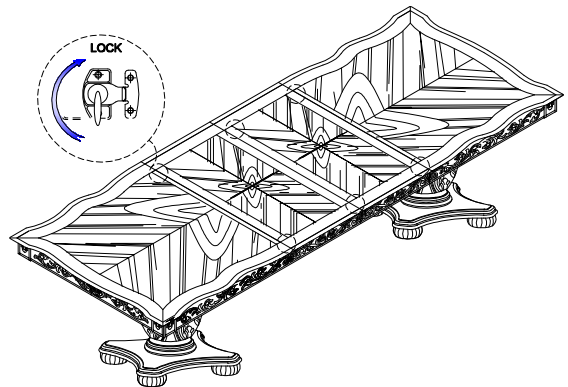
STEP 5



STEP 6



STEP 7



- For items use on wooden floor hard surfaces or carpets. It is recommended to install protective pads under all legs and supports to avoid/prevent from damages/scratches and discoloration.
- Hardware may loosen over time. Periodically check to make sure all connections are tight. Re-tight if necessary.