



Assembly Instruction

ITEM#: 1468-50 HUTCH

ITEM#: 1468-55 BUFFET

PART LIST

1		HUTCH	1 PC
2		BUFFET	1 PC
3		BUN FOOT	4 PCS
4		SUPPORT LEG	2 PCS

ANTI-TIPPING HARDWARE LIST

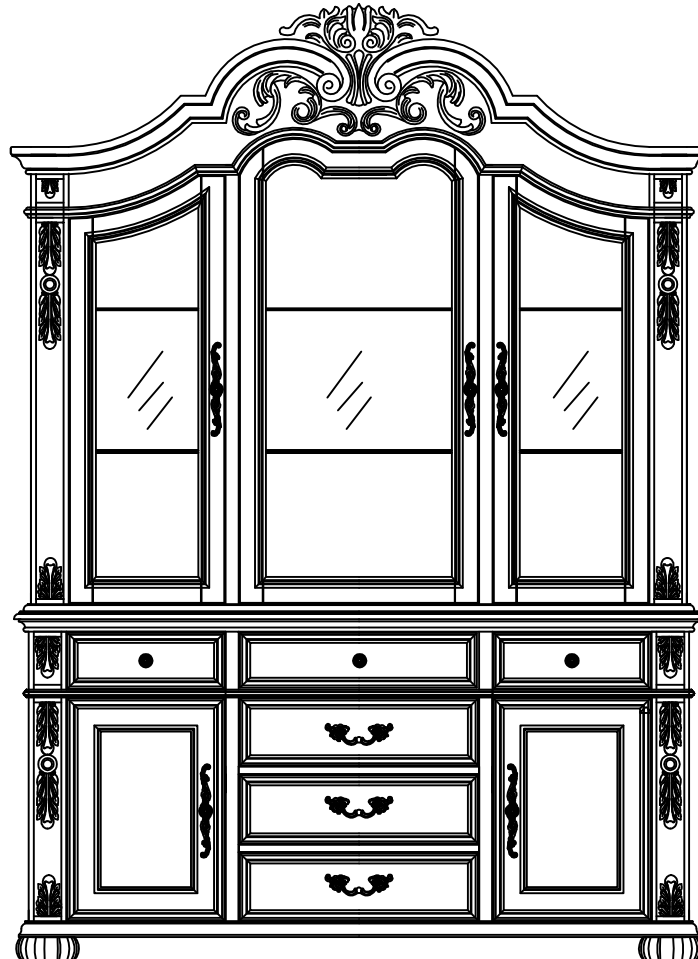
A		BRACKET	2 PCS
B		TIE WRAP	1 PC
C		SCREW #8x2"L	1 PC
D		SCREW #8x5/8"L	1 PC

HARDWARE LIST

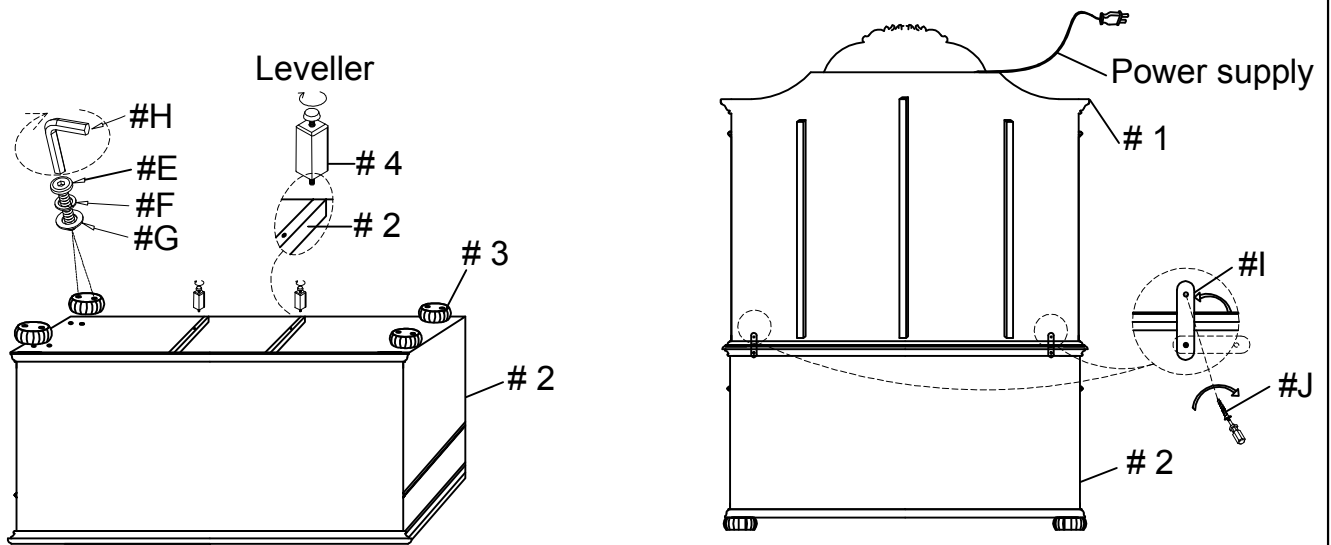
E		BOLT 5/16"x1-3/4"	8 PCS
F		SPRING WASHER 5/16"	8 PCS
G		FLAT WASHER 5/16"X22mm	8 PCS
H		ALLEN KEY 5/16"	1 PC

HARDWARE PACK

I		CONNECTING IRON PLATE	2 PCS
J		SCREW #8x5/8"L	2 PCS

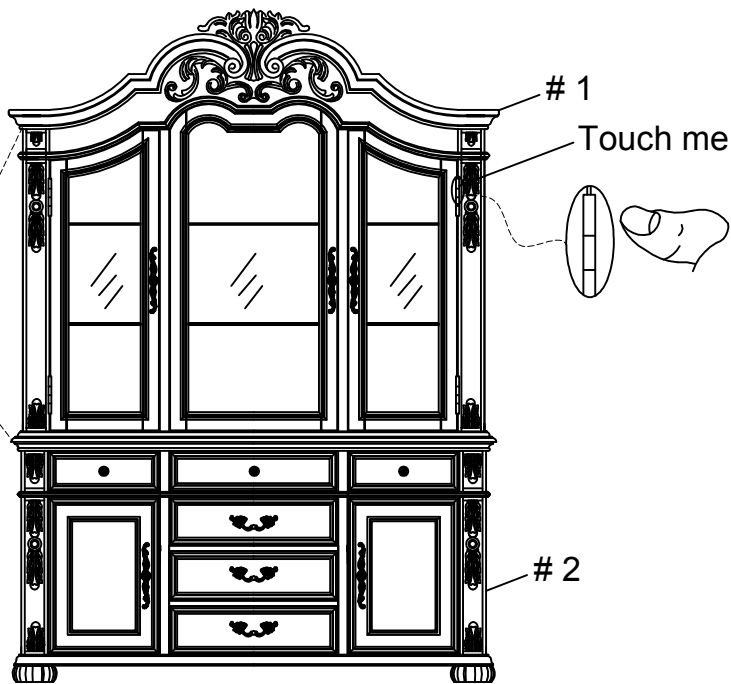
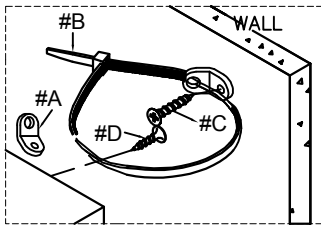


STEP 1



STEP 2

REMOVE THE ANTI-TIPPING KIT PACK FROM THE BUFFET BACK PANEL. IT MUST ALWAYS BE USED TO PREVENT THE FURNITURE FROM TIPPING.



Assembly Tips:

Anything that could make the assembly process easier based on factory assembly procedure and experience.

For example:

- Place table top upside down.
- Do not tighten the screws and bolts until the final steps of the assembly.
- This assembly may require additional help from an adult.



- For items use on wooden floor hard surfaces or carpets. It is recommended to install protective pads under all legs and supports to avoid/prevent from damages/scratches and discoloration.
- Hardware may loosen over time. Periodically check to make sure all connections are tight. Re-tight if necessary.