



# ASSEMBLY INSTRUCTION

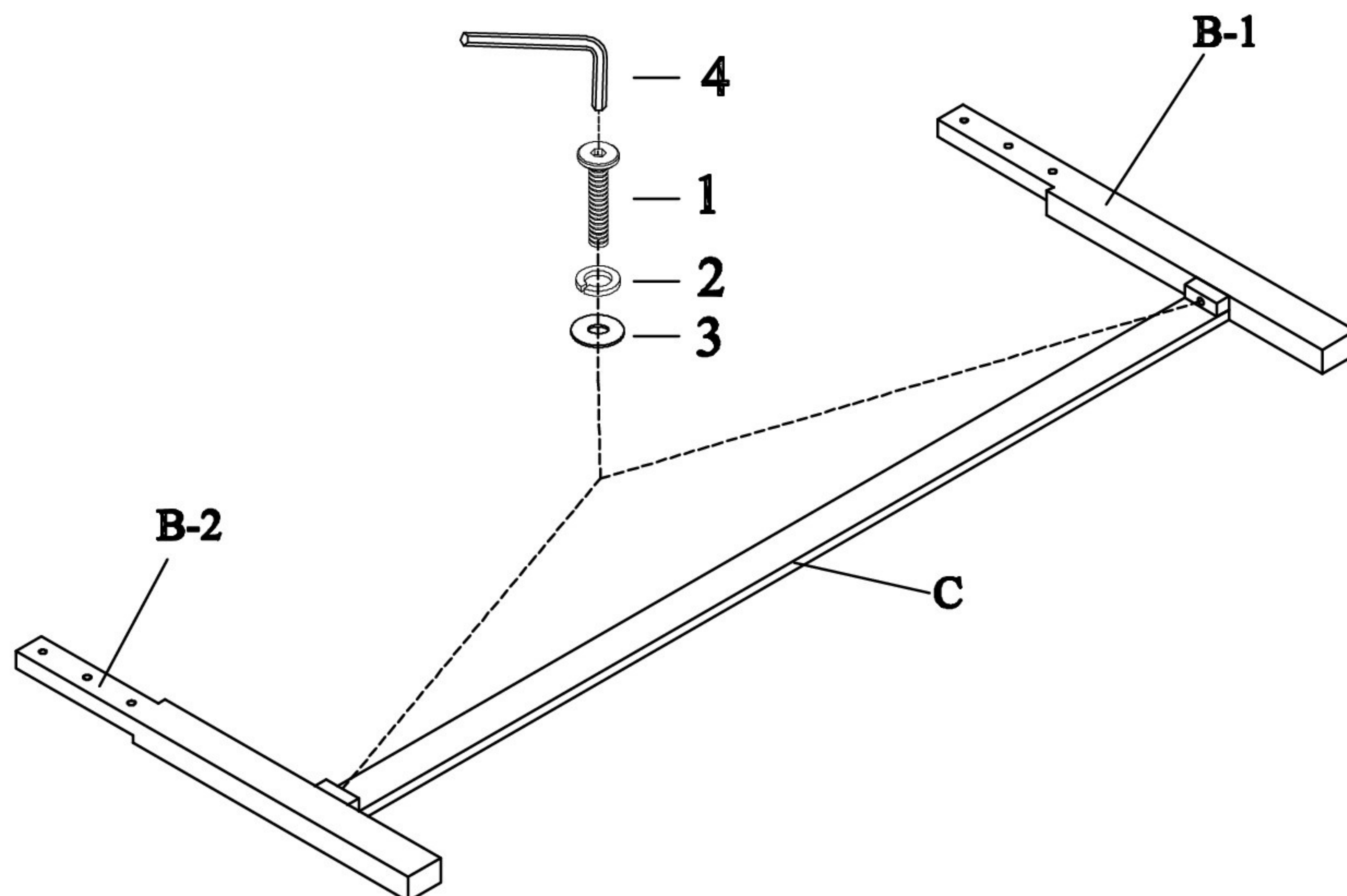
**ITEM NO:** 1566K-1&1566GYK-1 CALIFORNIA/EASTERN KING HEADBOARD  
 1566K-2&1566GYK-2 CALIFORNIA/EASTERN KING FOOTBOARD & SLATS  
 1566-3&1566GY-3 EASTERN KING/QUEEN SIDE RAILS

**Thank you for purchasing this quality product. Be sure to check all packing material carefully for small parts that may have come loose inside the carton during shipment.**

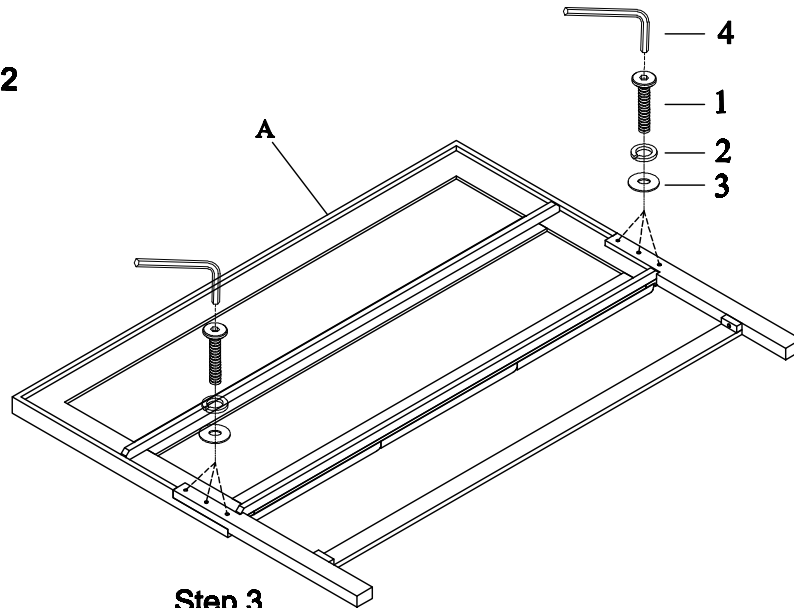
PART LIST			
NO.	Description	Sketch	Q'ty
A	HEADBOARD		1PC
B-1	HEADBOARD LEG(LSF)		1PC
B-2	HEADBOARD LEG(RSF)		1PC
C	CROSS BAR		1PC
D	FOOTBOARD		1PC
E	SIDE RAILS		2PCS
F	SUPPORT LEGS		8PCS
G	SLAT		4PCS

HARDWARE LIST (PUT IN 1566K-1/1566GYK-1 CARTON)				
NO.	Description	Sketch	Size	Q'ty
1	BOLT		5/16"-18x2"	8PCS
2	SPRING WASHER		5/16"IDx1/2"ODx1/16"TK	8PCS
3	FLAT WASHER		5/16"IDx3/4"ODx1/16"TK	8PCS
4	ALLEN KEY		1/6"	1PC
HARDWARE LIST (PUT IN 1566K-2/1566GYK-2 CARTON)				
5	SCREW		5/16"-8x1 1/4"	8PCS
HARDWARE LIST (PUT IN 1566-3/1566GY-3 CARTON)				
6	THREAD BOLT		5/16"-61x4"	8PCS
7	HEX NUT		5/16"IDx3/4"ODx1/16"TK	8PCS
8	WRENCH		1/2"	1PC

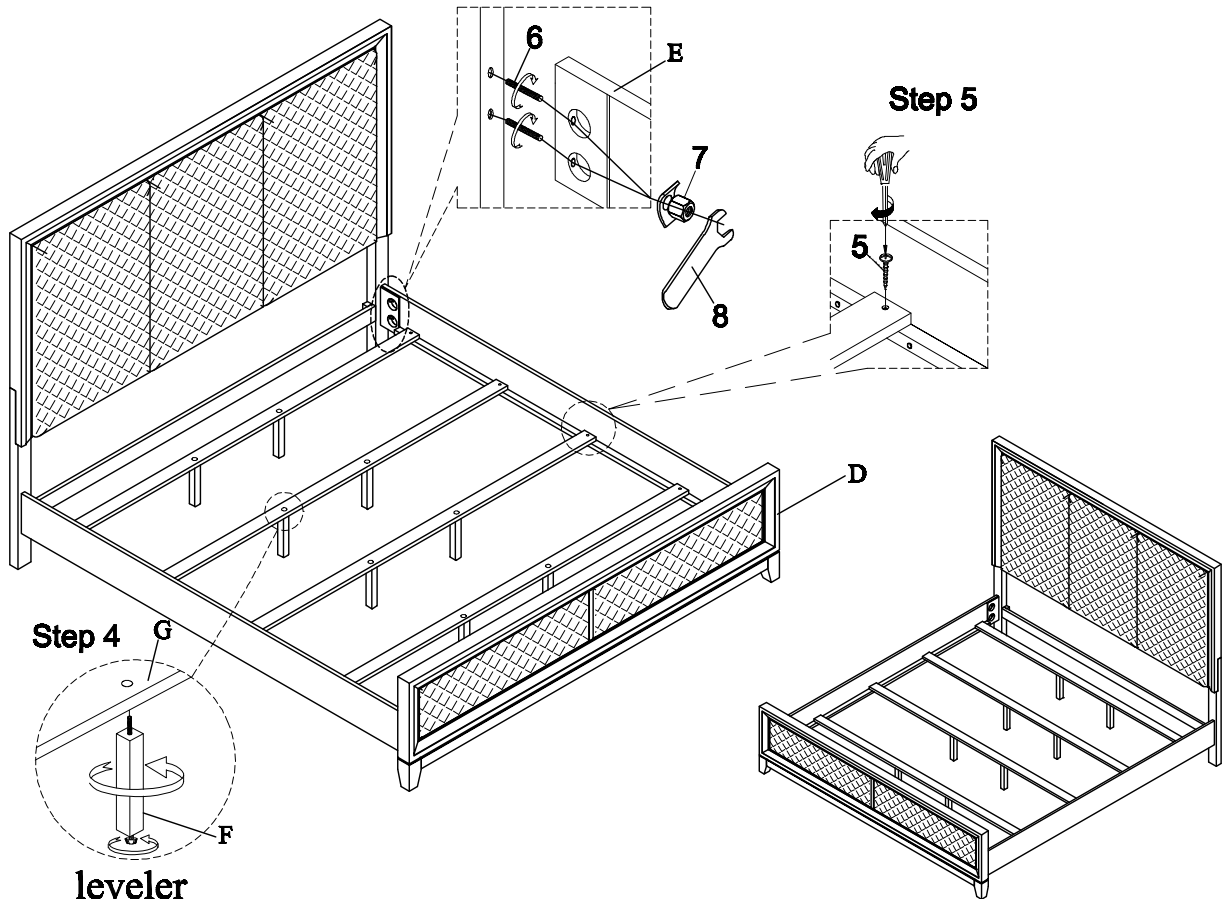
## Step 1



## Step 2

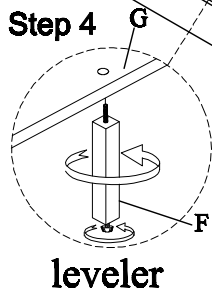


## Step 3



## Step 5

COMPLETED



leveler

**!** It is recommended to install protective pads under all legs and supports to avoid damage or scratches when placing furniture on a wood floor or other hard surface, and to limit indentation and prevent discoloration if placing on carpet.

MADE IN VIETNAM