

# ASSEMBLY INSTRUCTION

ITEM NO: 1584K - 1 EK/CK HEADBOARD  
 1584K - 2 EK/CK FOOTBOARD W/SLATS  
 1584 - 3 QUEEN/KING SIDE RAIL

Thank you for purchasing this quality product. Be sure to check all packing material carefully for small parts that may have come loose inside the carton during shipment.

TOOLS REQUIRED (NOT PROVIDED)

PHILLIPS SCREWDRIVER



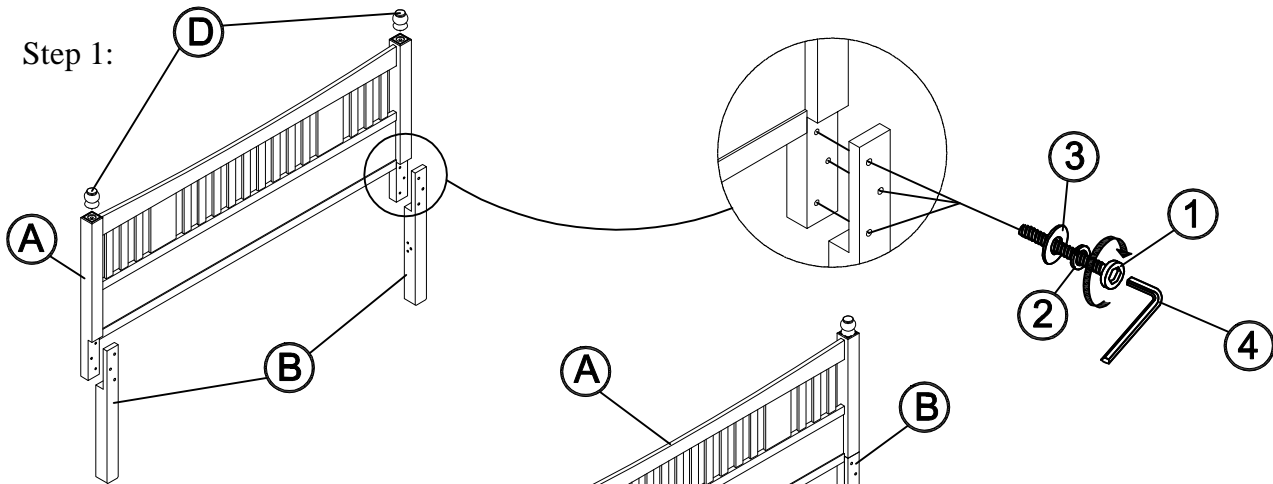
HARDWARE LIST

PART LIST

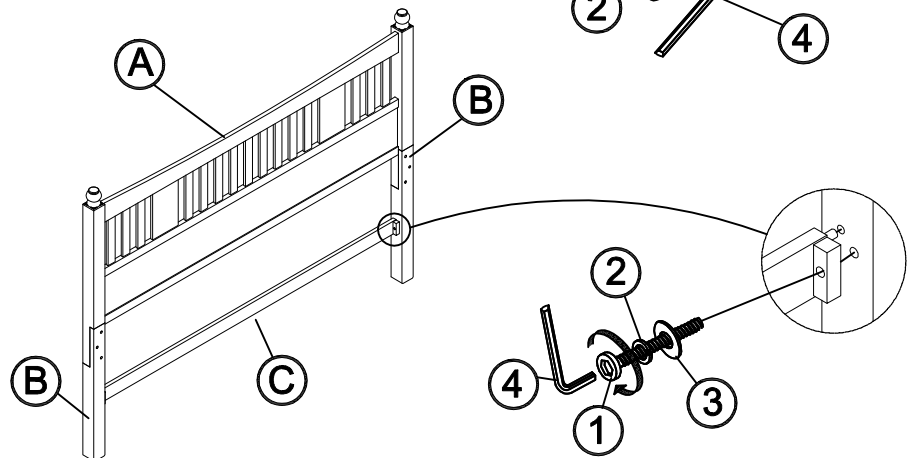
NO.	Description	Sketch	Size	Q'ty
<b>HARDWARE (PACK IN - 1)</b>				
1	BOLT		5/16"*44mm	8PCS
2	SPRING WASHER		5/16"	8PCS
3	FLAT WASHER		5/16"*19mm	8PCS
4	ALLEN KEY		4mm	1PC
<b>HARDWARE (PACK IN - 3)</b>				
5	SCREW		Ø8*32mm	8PCS
6	THREADED BOLT		5/16"*88mm	8PCS
7	HEX NUT		5/16"	8PCS
8	U-SQUARE FLAT WASHER		5/16"	8PCS
9	SPRING WASHER		5/16"	8PCS
10	WRENCH		90*12mm	1PC

NO.	Description	Sketch	Q'ty
A	HEADBOARD		1PC
B	HEADBOARD LEG (LSF & RSF)		2PCS
C	HEADBOARD BOTTOM RAIL		1PC
D	FINIALS		4PCS
E	FOOTBOARD		1PC
F	BUN FOOT		2PCS
G	SIDE RAIL		2PCS
H	SLAT		4PCS
I	SUPPORT LEG		8PCS

Step 1:



Step 2:



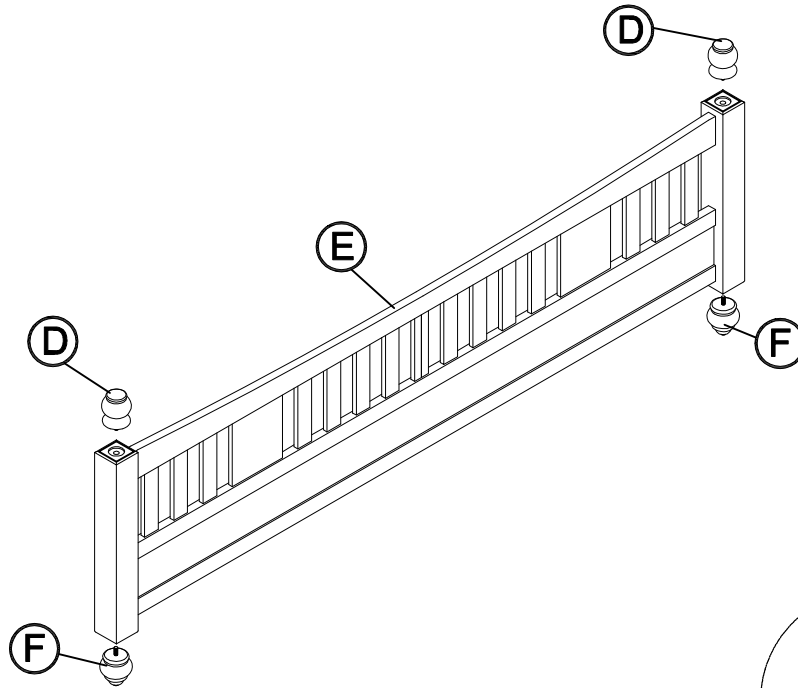
It is recommended to install protective pads under all legs and supports to avoid damage or scratches when placing furniture on a wood floor or other hard surface, and to limit indentation and prevent discoloration if placing on carpet.

# ASSEMBLY INSTRUCTION

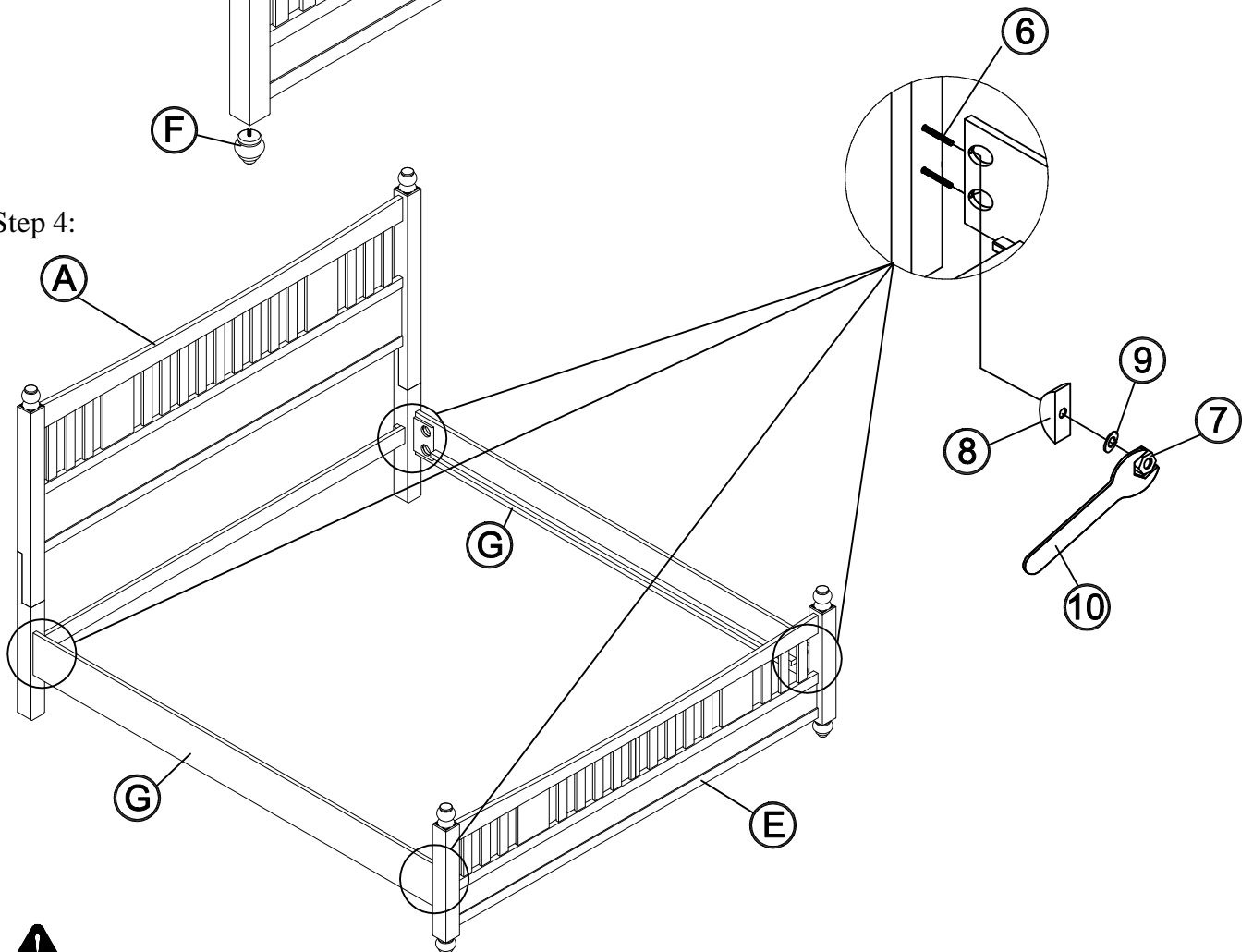
ITEM NO: 1584K - 1 EK/CK HEADBOARD  
 1584K - 2 EK/CK FOOTBOARD W/SLATS  
 1584 - 3 QUEEN/KING SIDE RAIL

Thank you for purchasing this quality product. Be sure to check all packing material carefully for small parts that may have come loose inside the carton during shipment.

Step 3:



Step 4:



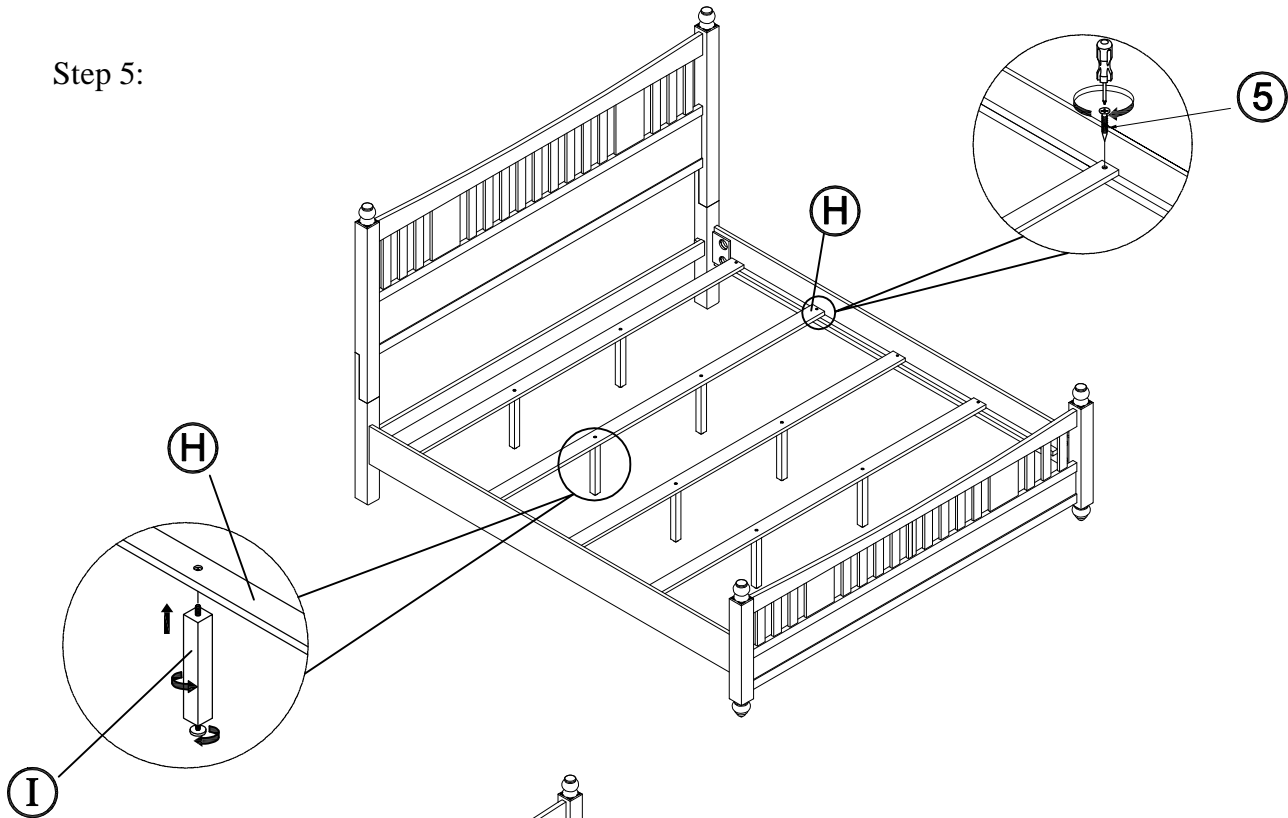
It is recommended to install protective pads under all legs and supports to avoid damage or scratches when placing furniture on a wood floor or other hard surface, and to limit indentation and prevent discoloration if placing on carpet.

# ASSEMBLY INSTRUCTION

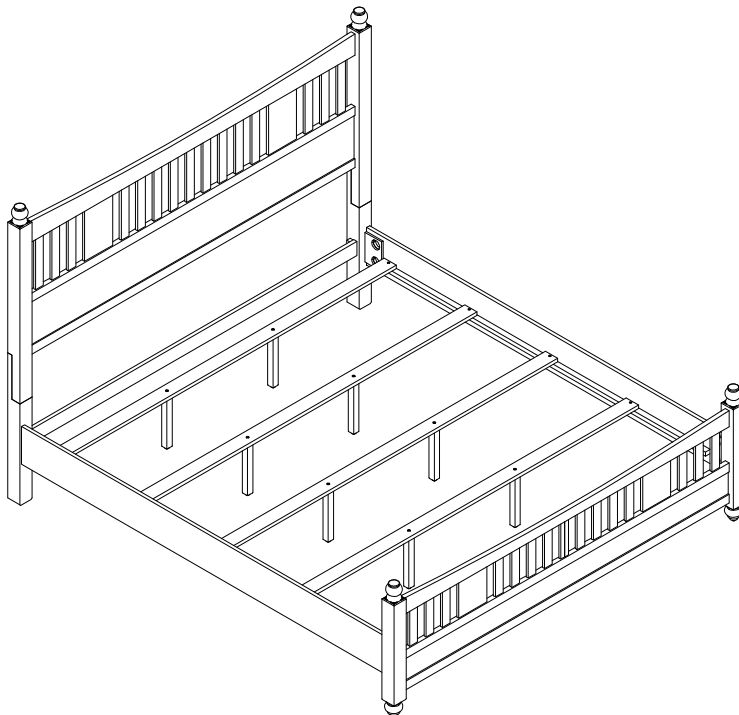
ITEM NO: 1584K - 1 EK/CK HEADBOARD  
1584K - 2 EK/CK FOOTBOARD W/SLATS  
1584 - 3 QUEEN/KING SIDE RAIL

Thank you for purchasing this quality product. Be sure to check all packing material carefully for small parts that may have come loose inside the carton during shipment.

Step 5:



Step 6:



**Assembly completed**



It is recommended to install protective pads under all legs and supports to avoid damage or scratches when placing furniture on a wood floor or other hard surface, and to limit indentation and prevent discoloration if placing on carpet.