



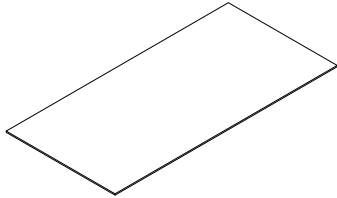
ASSEMBLY INSTRUCTION

3701-31

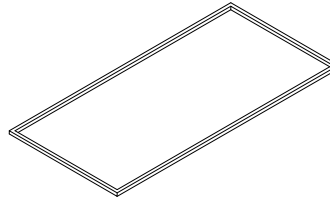
3 PCS OCCASIONAL SET

HOMELEGANCE

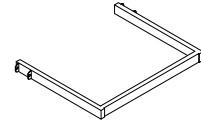
PART LIST:



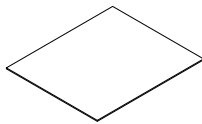
A:Cocktail Table Top
1PC



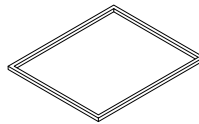
B:Cocktail Table
Top Frame
2PCS



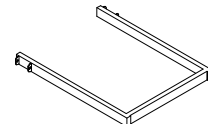
C:Cocktail Table
Leg Frame
3PCS



D:End Table Top
2PCS



E:End Table
Top Frame
4PCS



F:End Table
Leg Frame
4PCS

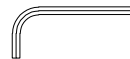
HARDWARE SET:



G:Bolt
1/4"*12mm
X 28PCS

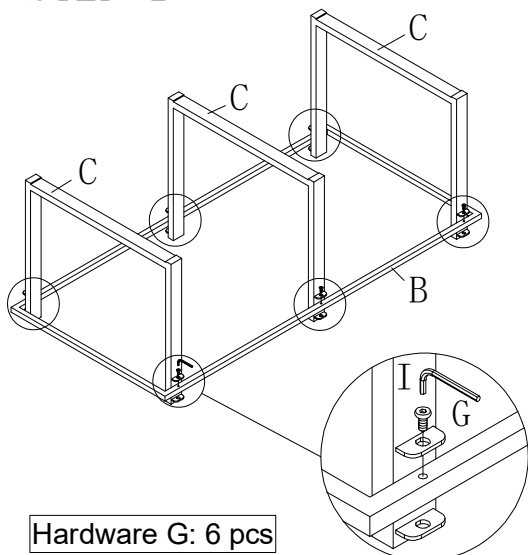


H:Plastic Pad
4mm
X 14PCS



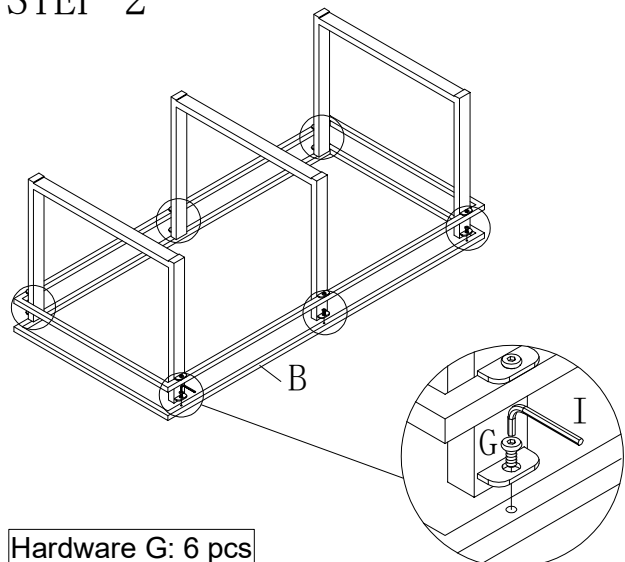
I:Allen Key
4mm
X 1PC

STEP 1



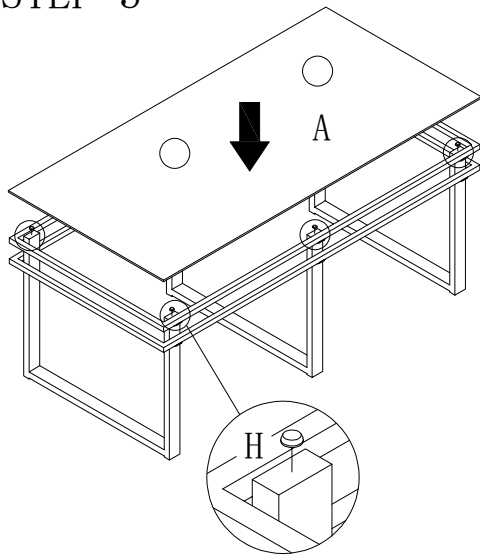
Hardware G: 6 pcs

STEP 2



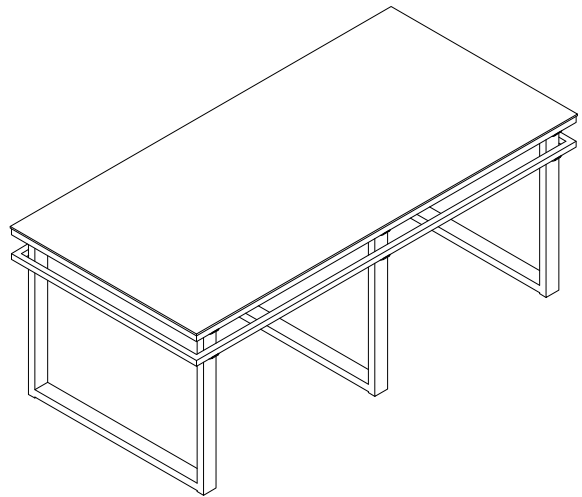
Hardware G: 6 pcs

STEP 3

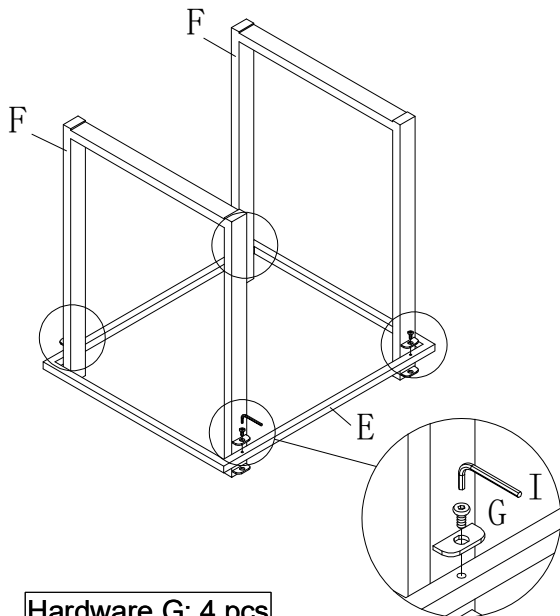


Hardware H: 6 pcs

STEP 4

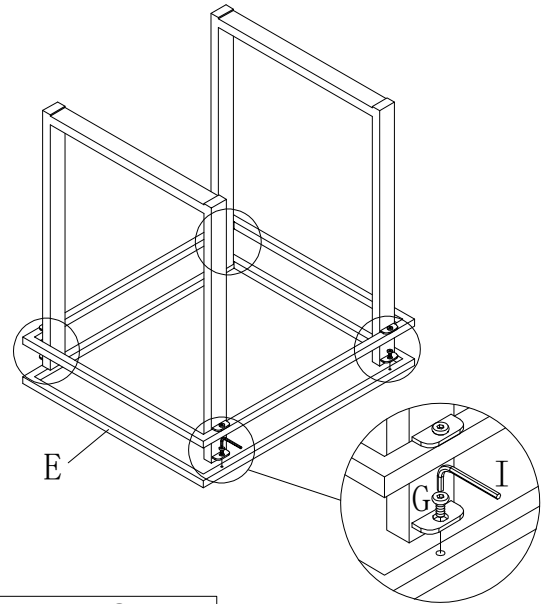


STEP 5



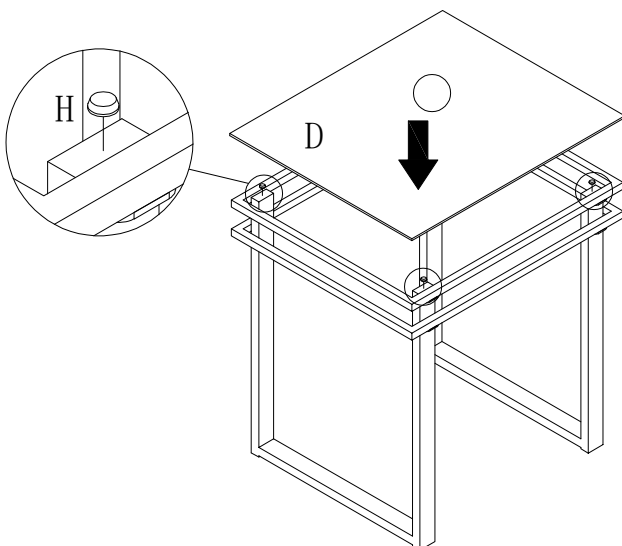
Hardware G: 4 pcs

STEP 6



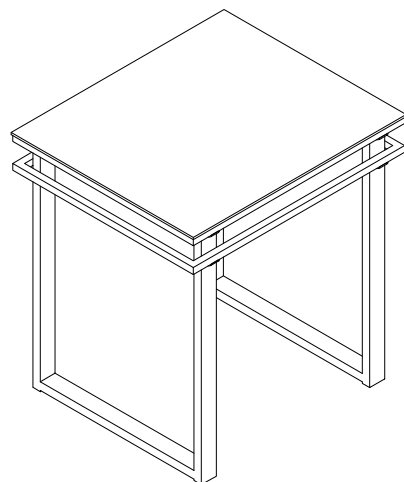
Hardware G: 4 pcs

STEP 7

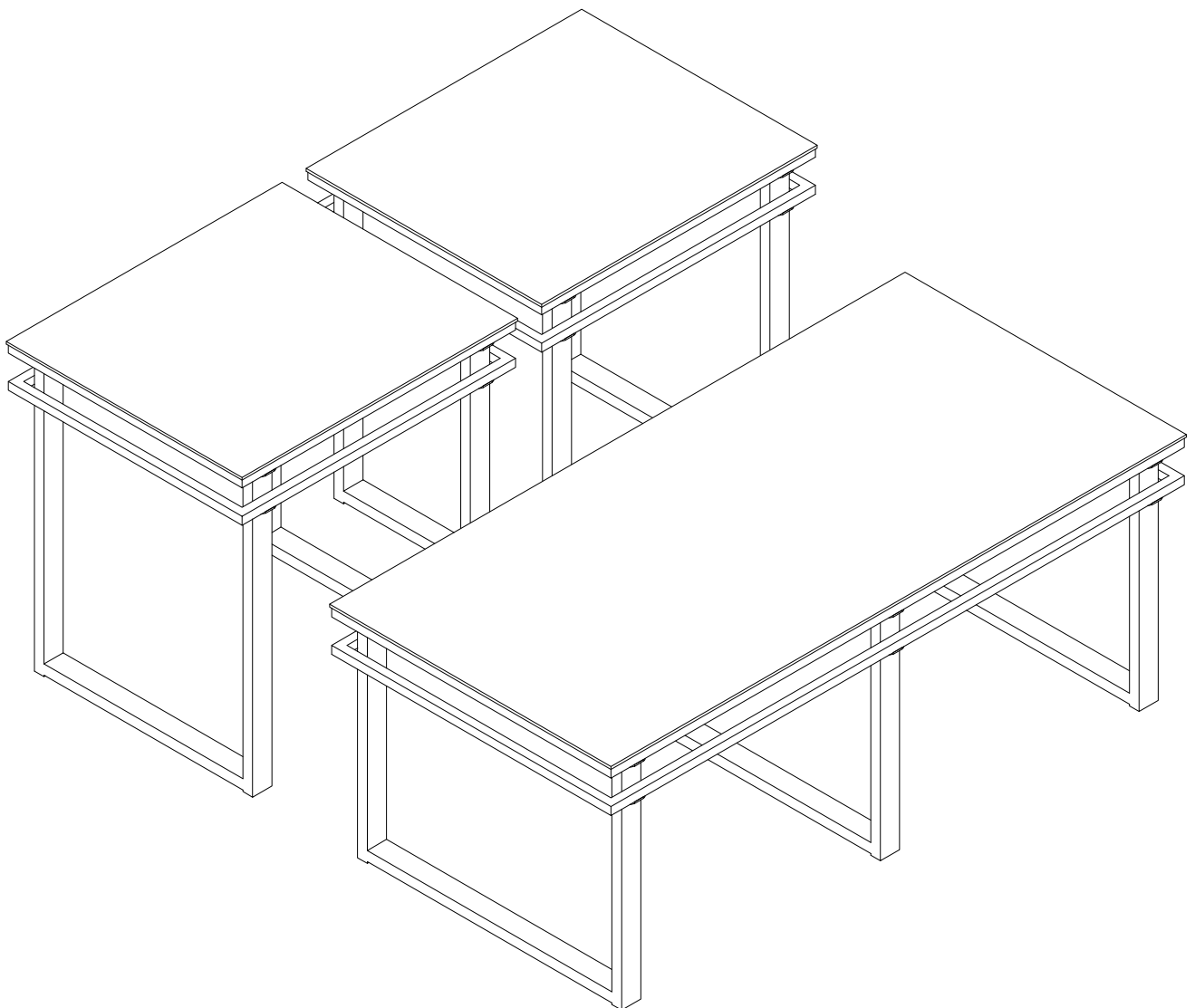



Hardware H: 4 pcs

STEP 8



COMPLETED



 For items use on wooden floor, hard surfaces or carpets, it is recommended to install protective pads under all legs and supports to avoid/prevent from damages/scratches and discoloration.