



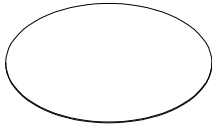
# ASSEMBLY INSTRUCTION

3702-31

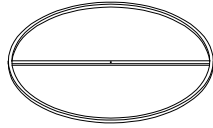
3 PCS OCCASIONAL SET

## HOMELEGANCE

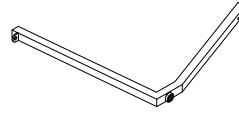
### PART LIST:



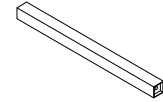
A:Cocktail Table Top  
1PC



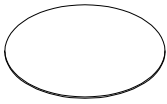
B:Cocktail Table Top Frame  
1PC



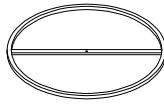
C:Cocktail Table Leg  
4PCS



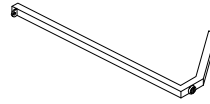
D:Cocktail Table Support Leg  
1PC



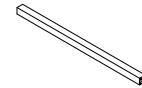
E:End Table Top  
2PCS



F:End Table Top Frame  
2PCS



G:End Table Leg  
8PCS



H:End Table Support Leg  
2PCS

### HARDWARE SET:



I:Bolt  
1/4"\*12mm  
X 36PCS



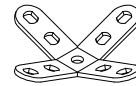
J:Bolt  
1/4"\*25mm  
X 6PCS



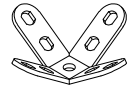
K:Allen Key  
4mm  
X 1PC



L:Plastic Pad  
4mm  
X 12PCS

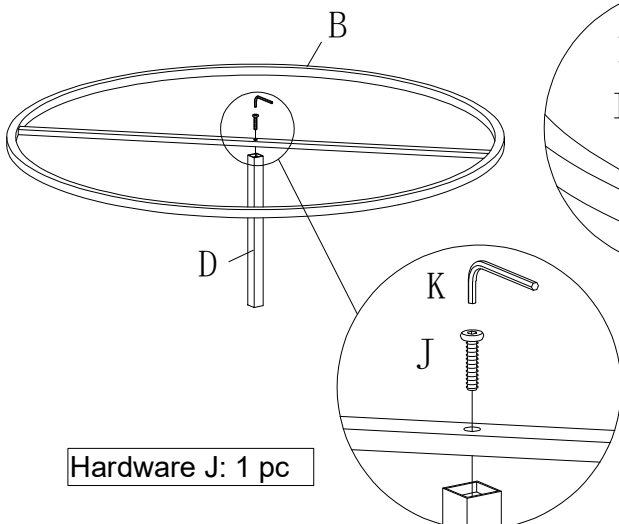


M:Cocktail Table Metal Bracket  
X 1PC



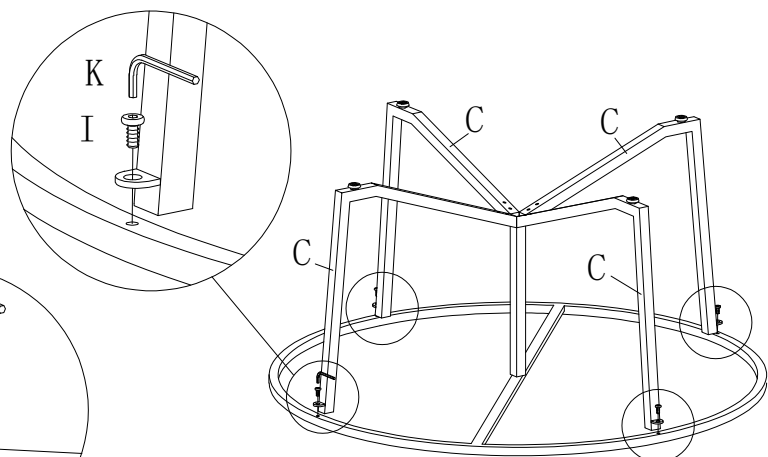
N:End Table Metal Bracket  
X 2PCS

### STEP 1



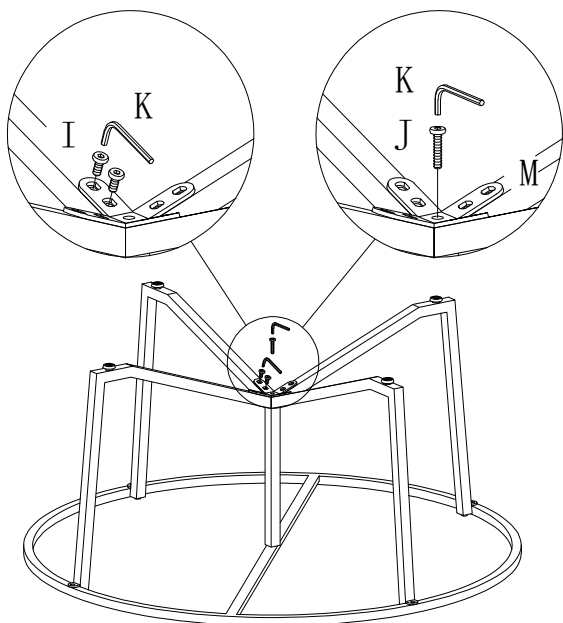
Hardware J: 1 pc

### STEP 2



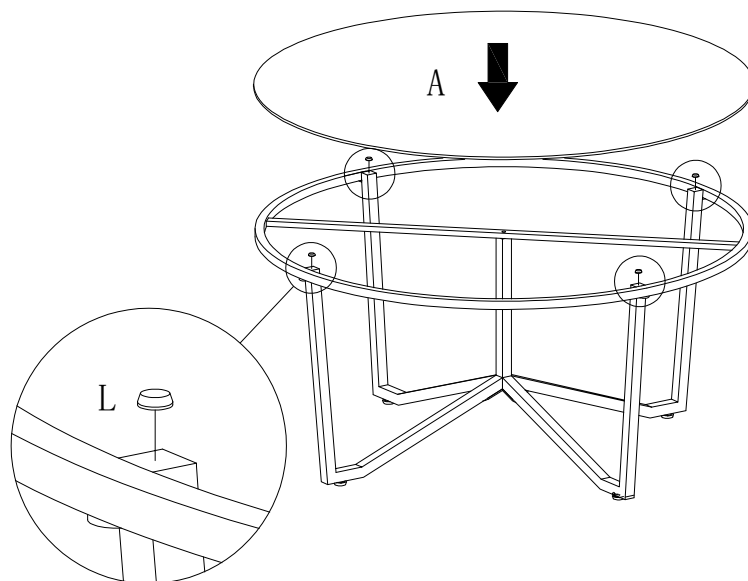
Hardware I: 4 pcs

### STEP 3



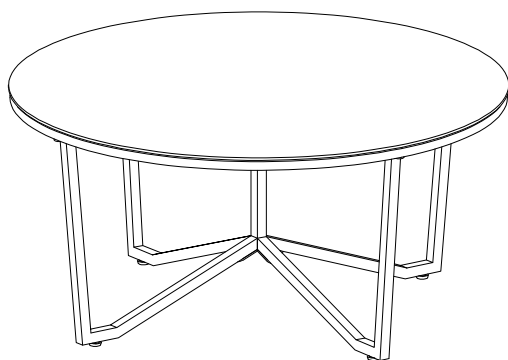
Hardware I: 8 pcs  
Hardware J: 1 pc  
Hardware M: 1 pc

### STEP 4

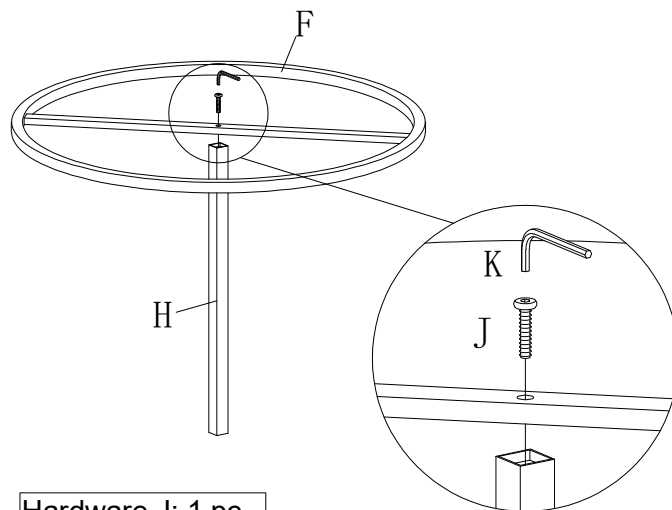


Hardware L: 4 pcs

### STEP 5

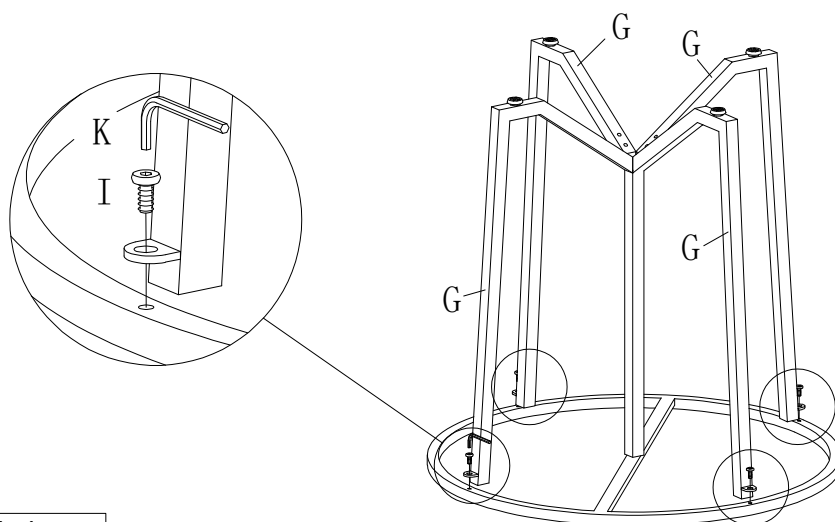


### STEP 6



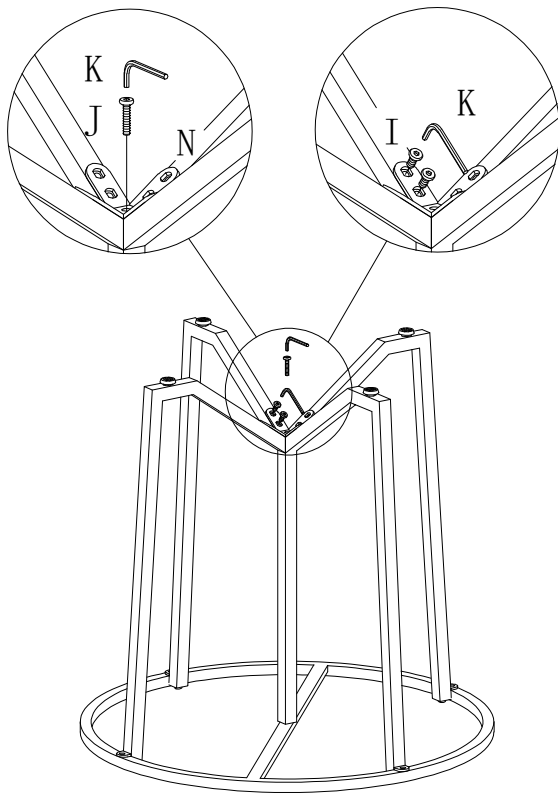
Hardware J: 1 pc

### STEP 7



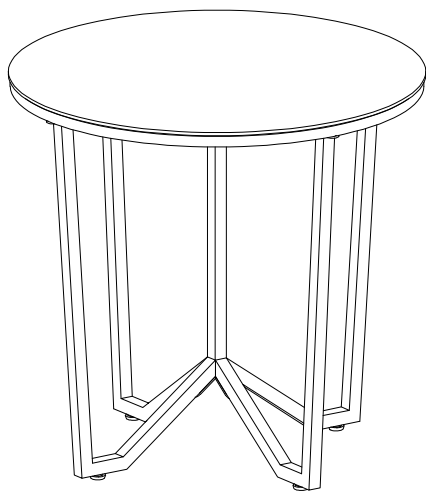
Hardware I: 4 pcs

## STEP 8

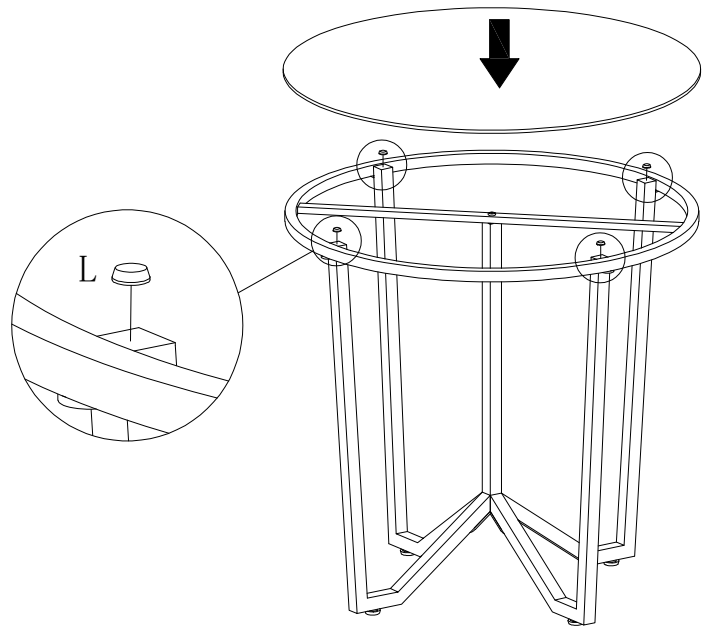


Hardware I: 8 pcs  
Hardware J: 1 pc  
Hardware N: 1 pc

## STEP 10



## STEP 9



Hardware L: 4 pcs

## COMPLETED



For items use on wooden floor, hard surfaces or carpets, it is recommended to install protective pads under all legs and supports to avoid/prevent from damages/scratches and discoloration.