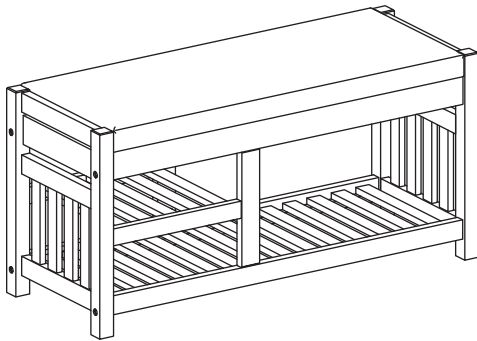




ASSEMBLY INSTRUCTION

ITEM NO : 4617 Bench

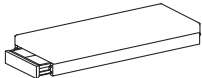







Thank you for purchasing this product. Please take time to read and follow the instructions below. Check that you have all parts and hardware before assembly. Parts apparently missing are often found in the packing materials. If you do not have all the parts listed, have your dealer contact us and they will be sent to you immediately.










It is recommended to install protective pads under all legs and supports to avoid damage or scratches when placing furniture on a wood floor or other hard surface, and to limit indentation and prevent discoloration if placing on carpet

PART LIST

1	Seat with drawer		1 pc
2	Leg Frame 1		1 pc
3	Leg Frame 2		1 pc
4	Bottom shelf		1 pc
5	Center shelf		1 pc
6	Center Support Rail		2 pcs

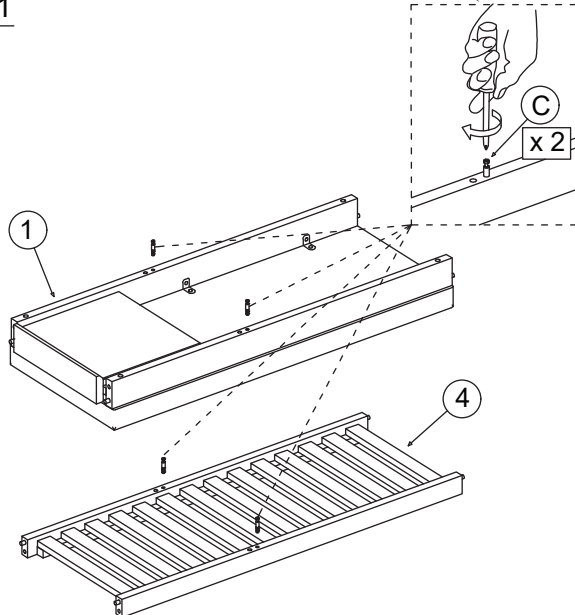
HARDWARE SET

A	Jcbc Bolt M6 x 70mm		8 pcs
B	Barrel Nut M6 x 13mm		8 pcs
C	Mini Fix Bolt		4 pcs
D	Mini Fix Cam		4 pcs
E	Allen Key		1 pc
F	Leveler		4 pcs
G	Plastic Cap		4 pcs

*DO NOT TIGHTEN BOLTS UNTIL COMPLETELY ASSEMBLED.

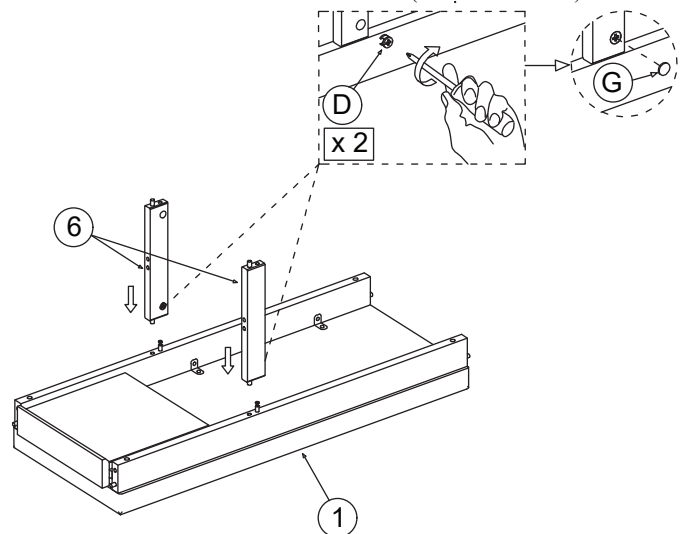
Step 1

SCREWDRIVER (NOT PROVIDED)

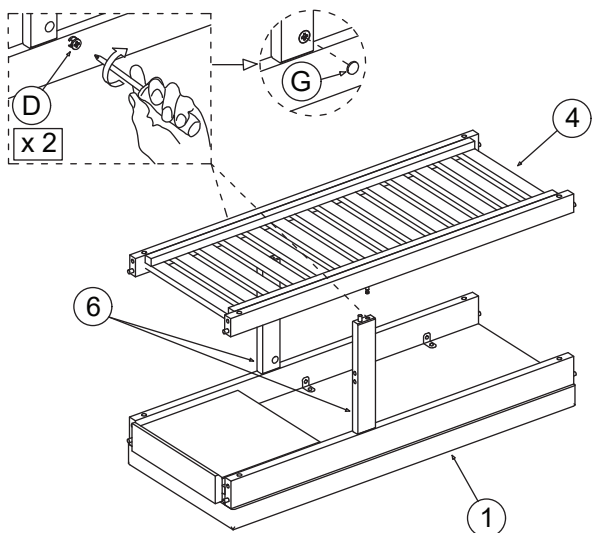


Step 2

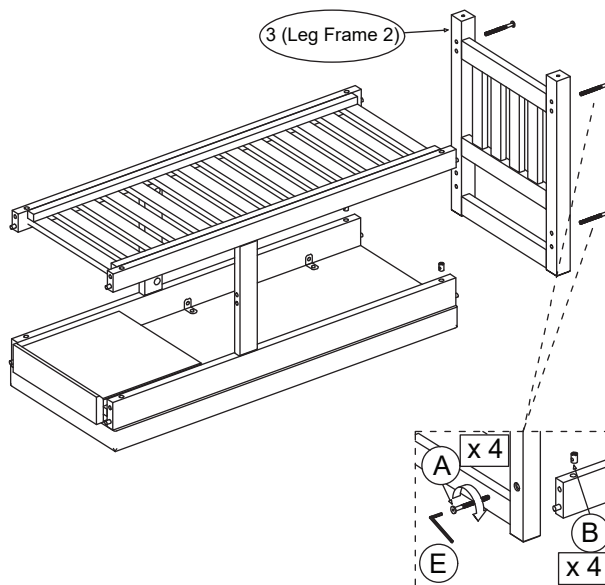
SCREWDRIVER (NOT PROVIDED)



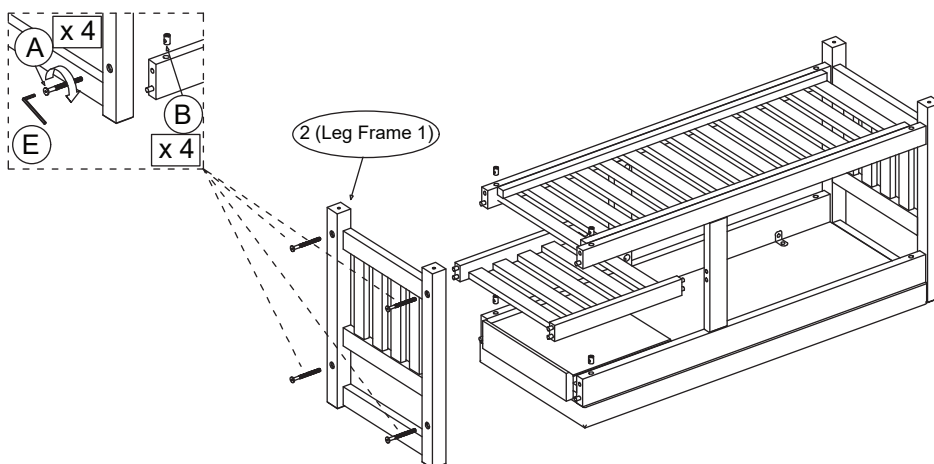
Step 3



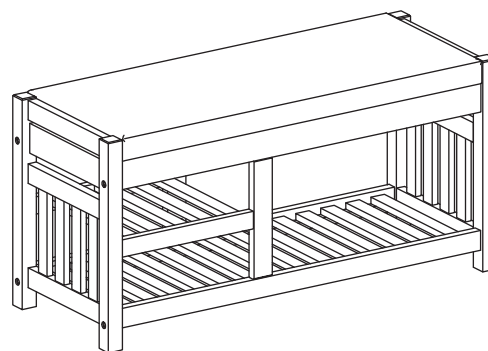
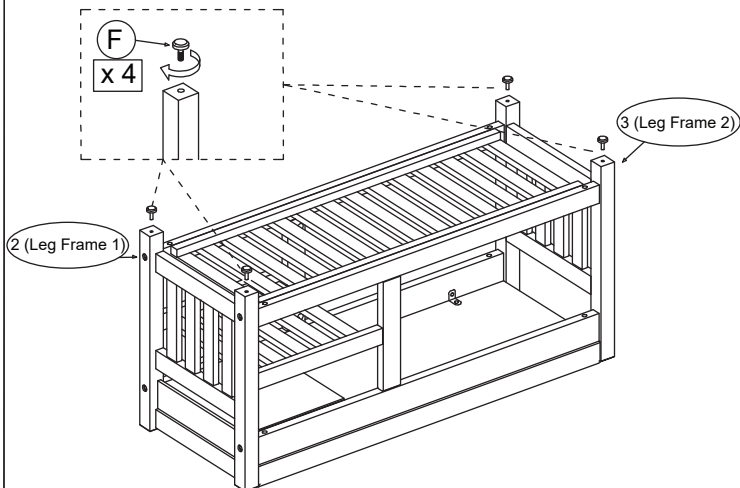
Step 4



Step 5



Step 6



ASSEMBLY COMPLETE