



HOMELEGANCE

ASSEMBLY INSTRUCTION

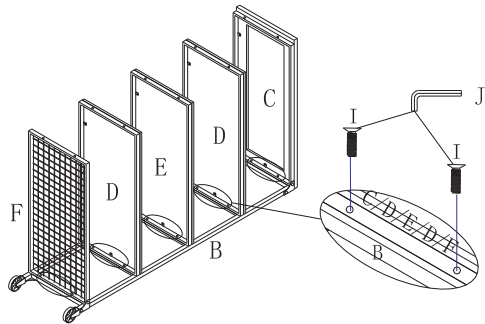
5099-17 BOOKSHELF (3A)

PART LIST

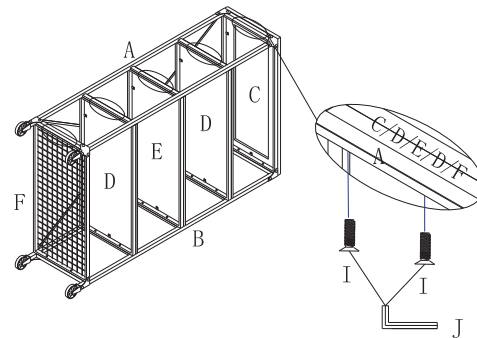
| | | | | | | |
|-----------------|------------------|-----------|-------------------------|--------------|--------------|-----------|
| | | | | | | |
| Left Side Frame | Right Side Frame | Top Panel | First and Third Shelves | Second Shelf | Bottom Shelf | Cross bar |
| 1PC | 1PC | 1PC | 2PCS | 1PC | 1PC | 2PCS |

| HARDWARE LIST | | | | |
|---------------|--|---------------------------------------|-----------|-------|
| H | | Bolt with Lock Washer and Flat Washer | 1/4"X15mm | 5pcs |
| I | | Flat Head Bolt | 1/4"X25mm | 20pcs |
| J | | L-Allen Key | 4mm | 1pc |
| K | | Furniture Tipping Restraint | | 1pc |

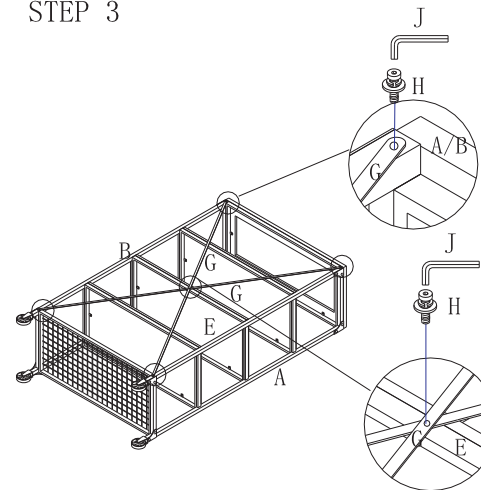
STEP 1



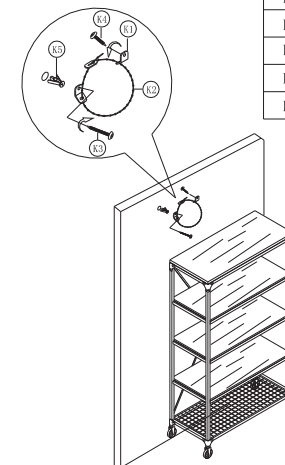
STEP 2



STEP 3



STEP 4



| ANTI-TIPPING HARDWARE PACK | | | |
|----------------------------|-----------------|--|------|
| K1 | Bracket/Equerre | | 2PCS |
| K2 | Tie wrap | | 1PC |
| K3 | Long Screw | | 1PC |
| K4 | Short Screw | | 1PC |
| K5 | Corner pad | | 1PC |

- (1) Place the right side frame on a smooth and even surface, attach all the shelves to the side frame and insert the bolts, do not fully tighten it.
- (2) Attach left side frame to the assembled right side frame, insert the bolts, do not fully tighten it.
- (3) Face down the assembled bookshelf, attach the cross bars to the rear of the unit, insert bolts and washers, tighten all the bolts with Allen Key.
- (4) Upright the bookshelf and adjust the bookshelf position against the wall, install the anti-tipping restraint to the unit.