



ASSEMBLY INSTRUCTION

5525-40 SERVER

PART LIST

| | | |
|---|-----------|-----|
| A | GLASS TOP | 1PC |
| B | SERVER | 1PC |

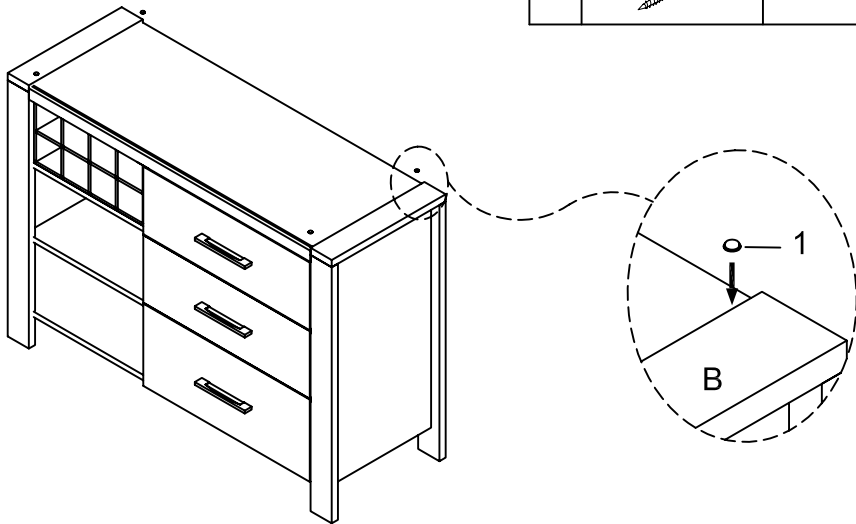
HARDWARE LIST

| | | | |
|---|--|--------------------------------|------|
| 1 | | GLASS SUCTION CUP 15/32"X5/32" | 4PCS |
|---|--|--------------------------------|------|

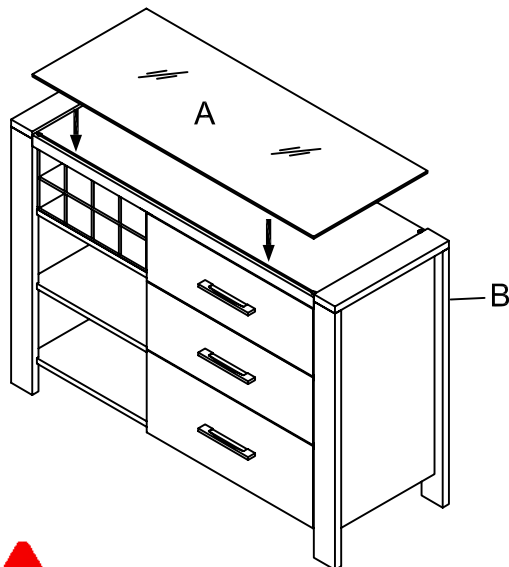
ANTI-TIPPING HARDWARE PACK

| | | | |
|---|--|----------------------|------|
| 2 | | TIE WRAP | 1PC |
| 3 | | BRACKET | 2PCS |
| 4 | | PLASTIC SCREW ANCHOR | 1PC |
| 5 | | SCREW 5/32"X1-1/2" | 1PC |
| 6 | | SCREW 5/32"X3/4" | 1PC |

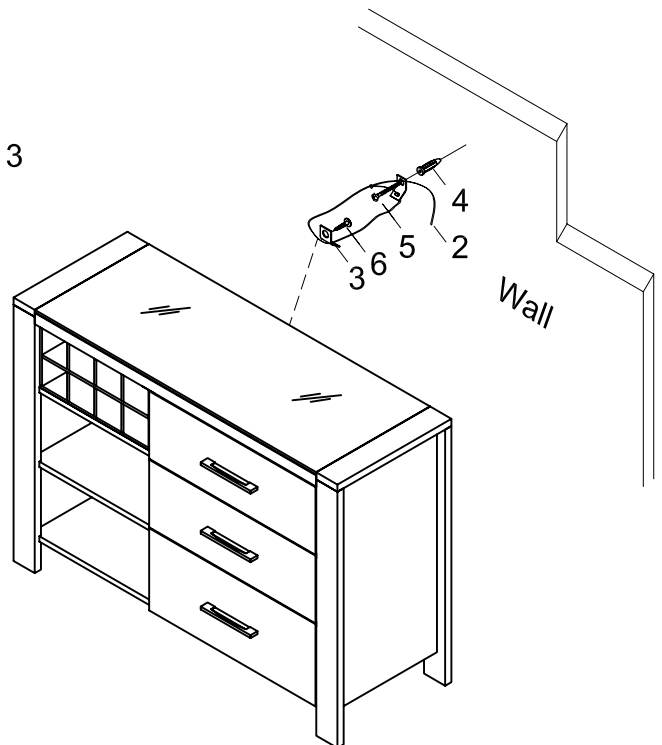
STEP 1



STEP 2



STEP 3



For items use on wooden floor, hard surfaces or carpets, it is recommended to install protective pads under all legs and supports to avoid/prevent from damages/scratches and discoloration.