






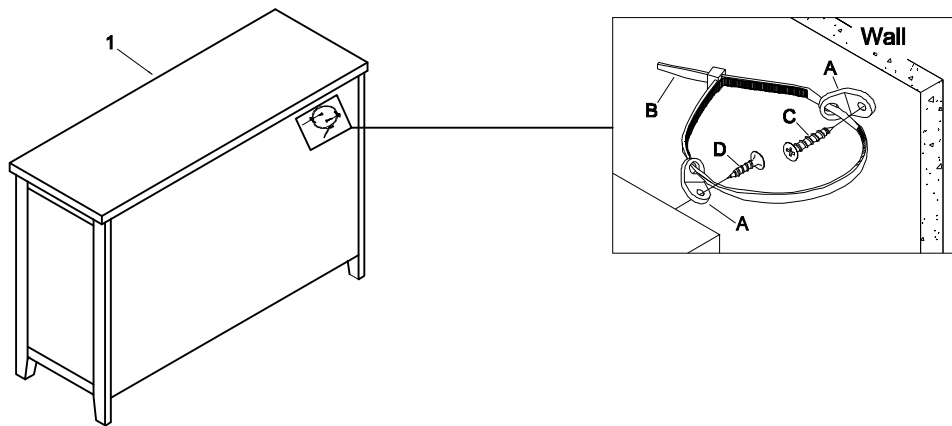


# ASSEMBLY INSTRUCTION

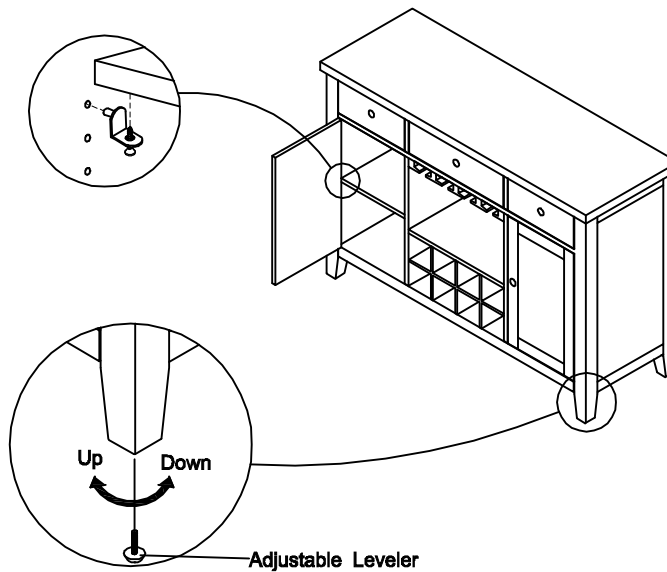
ITEM NO.: 5547-40 SERVER

PART LIST				ANTI-TIPPING HARDWARE PACK			
1	Server		1pc	A		Bracket	2pcs
				B		Tie Wrap	1pc
				C		Long Screw #6 x 1-1/2"L	1pc
				D		Short Screw #6 x 3/4"L	1pc

## Step 1



## Completed



For items use on wooden floor, hard surfaces or carpets, it is recommended to Install protective pads under all legs and supports to avoid/prevent from damages/scratches and discoloration.