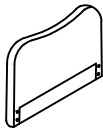
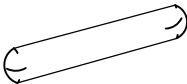
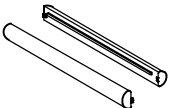
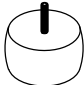

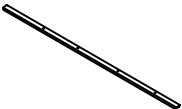
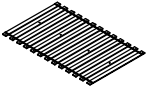






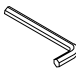
ASSEMBLY INSTRUCTION

ITEM NO: HM1672BE-1 QUEEN HEADBOARD & SLATS

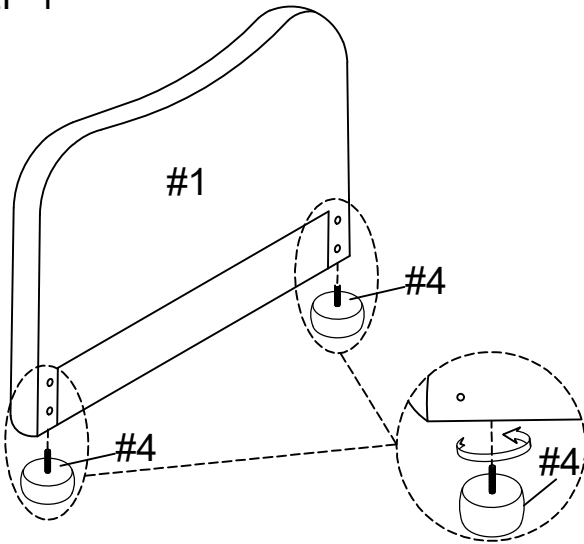
HM1672BE-3 QUEEN FOOTBOARD & RAILS

Thank you for purchasing this quality product. Be sure to check all packing material carefully for small parts that may have come loose inside the carton during shipment.

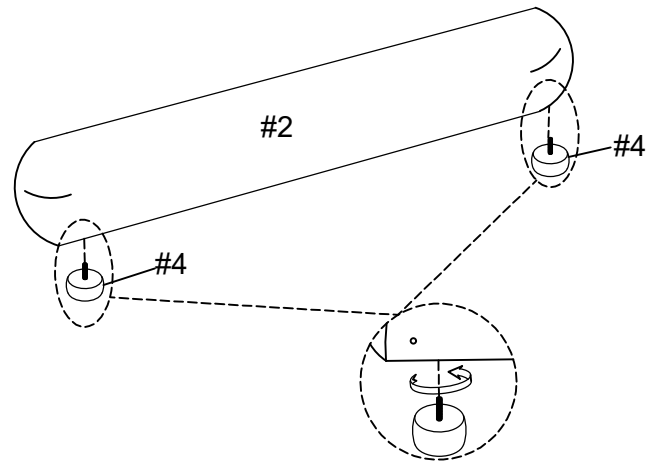
PART LIST			
NO.	Description	Sketch	Q'ty
1	HEADBOARD		1PC
2	FOOTBOARD		1PC
3	SIDE RAIL		2PCS
4	LEG		4PCS
5	SUPPORT LEG		4PCS
6	SUPPORT RAIL		1PC
7	SLAT ROLL		13 PCS

HARDWARE LIST (PUT IN HM1672BE-1)				
NO.	Description	Sketch	Size	Q'ty
A	SCREW		#8X38MM	26PCS
B	BOLT		Ø5/16" x 1-1/4"	8PCS
C	LOCK WASHER		Ø5/16"	8PCS
D	FLAT WASHER		Ø5/16" x 19MM	8PCS
E	ALLEN WRENCH		5MM	1PC

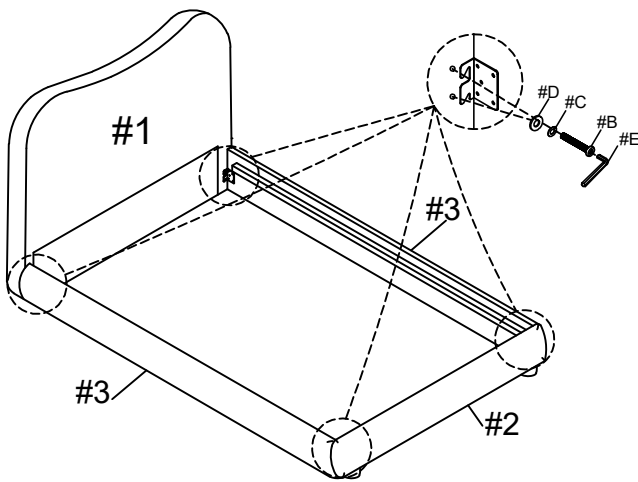
STEP 1



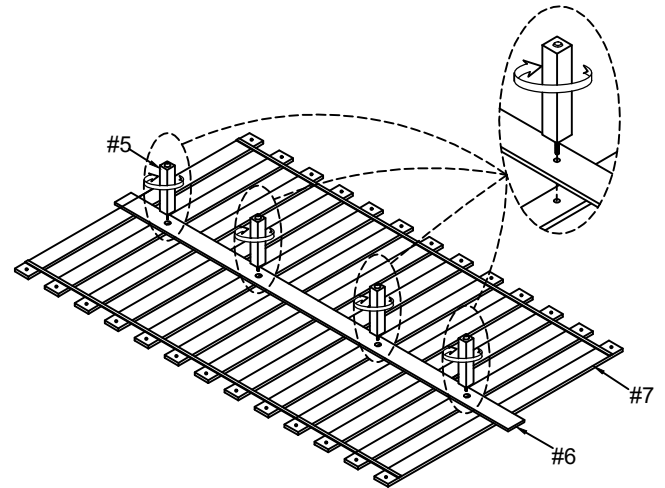
STEP 2



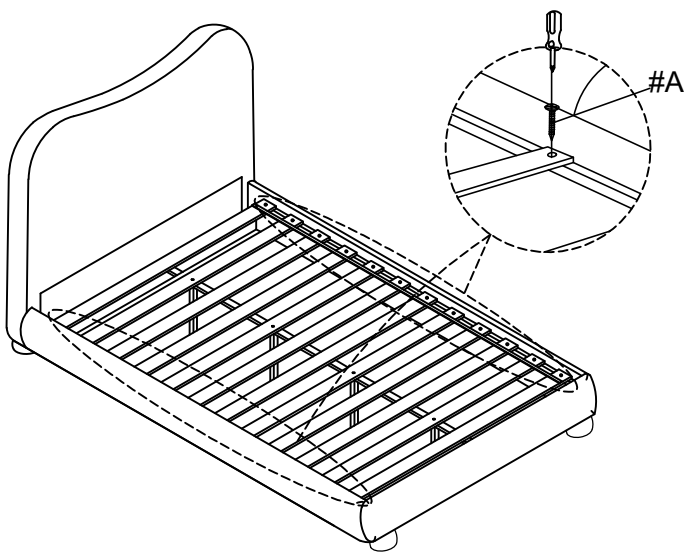
STEP 3



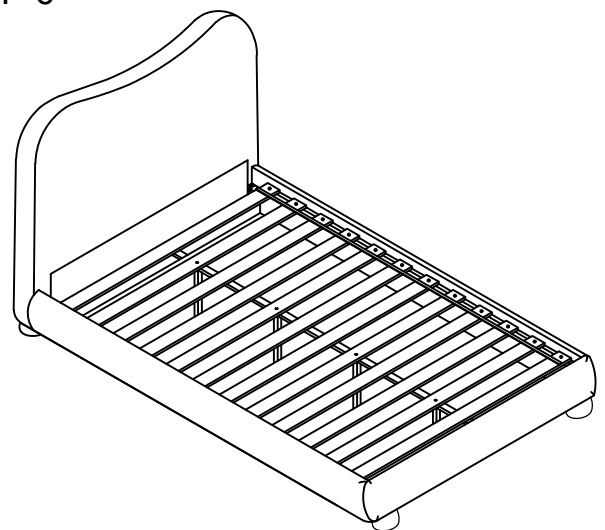
STEP 4



STEP 5



STEP 6



COMPLETED

It is recommended to install protective pads under all legs and supports to avoid damage or scratches when placing furniture on a wood floor or other hard surface, and to limit indentation and prevent discoloration if placing on carpet.