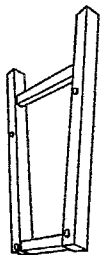
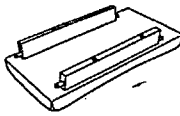

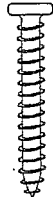




Assembly Instruction For Barstool / 2 pcs

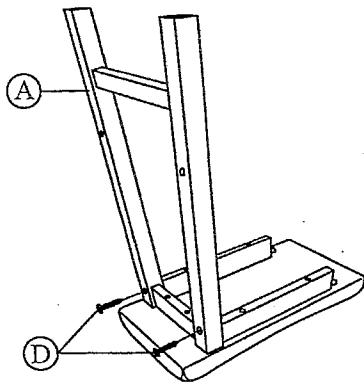
- Read all instructions completely before assembling.
- Do not tighten the nuts or bolts until all parts are properly assembled.
- Do not use power tools. Over tighten the screws may split the wood.
- Check bolts/screws periodically and tighten them if necessary.

List of Parts and Hardware / 1 pcs						
Quantity	X 4	X 2	X 4	X 16	X 1	X 16
Description	(A) Leg Frame 	(B) Seat 	(C) Cross Bar 	(D) Wood Screw 	(E) Allen Key 	(F) Wood Button 

STEP 1

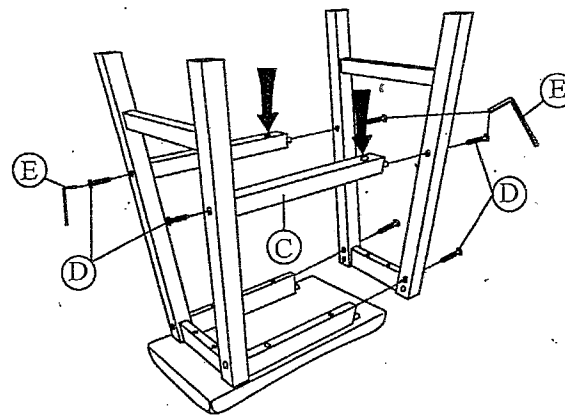
STEP 2

STEP 3



Step 1

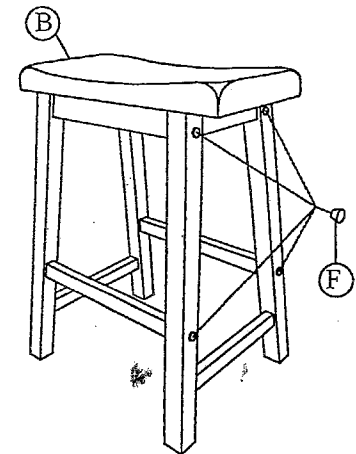
Place seat (B) upside down smooth carpet surface. Line up legs of Leg Frame (A) with screw holes on bottom of seat (B) and attach with using Wood Screw (D).



Step 2

Insert Cross Bars into Leg Frame (C) and secure with Wood Screw (D).

RE: Part (C) with holes facing downwards



Step 3

Line up of second Leg Frame (A) with screw holes on bottom of seat and attach using Wood Screw (D). Do not tighten these screw all the way until you insert the cross bars when all holes are aligned. Tighten all remaining screw.

Step 4

Insert Wood Button (F) into every screw hole in leg.