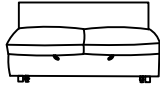

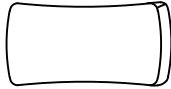


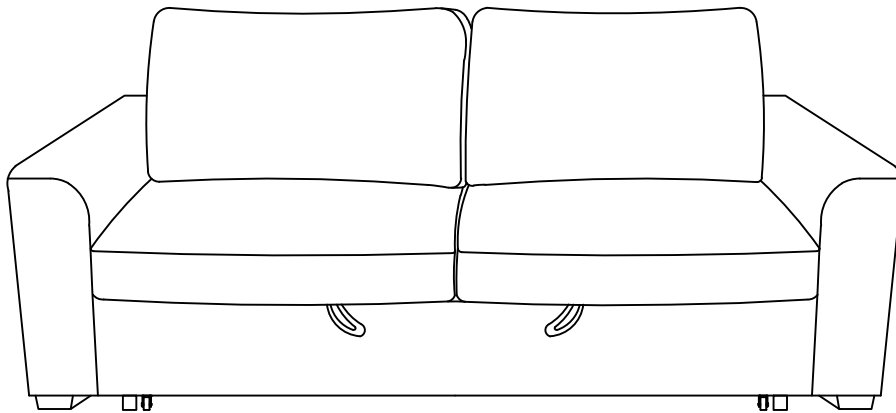
# ASSEMBLY INSTRUCTIONS

ITEM NO : 9525RF-3CL  
**Convertible Studio Sofa with pull-out bed**

▲ It is recommended to install protective pads under all legs and supports to avoid damage or scratches when placing furniture on a wood floor or other hard surface, and to limit indentation and prevent discoloration if placing on carpet.

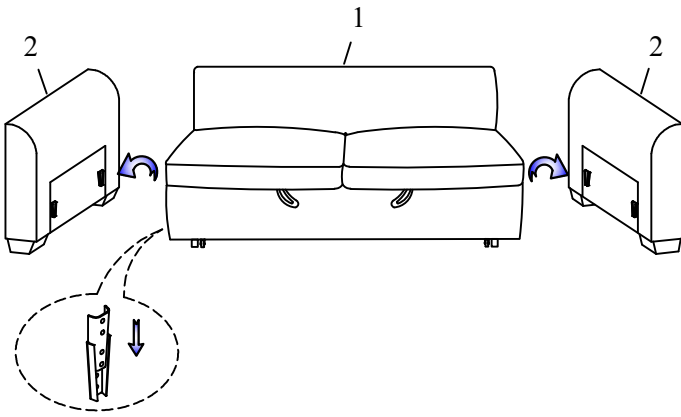
## PARTS LIST

NO.	DRAWING	QTY	DESCRIPTION
1		1 PC	Seat Frame
2		2 PCS	Arm
3		2 PCS	Back Cushion



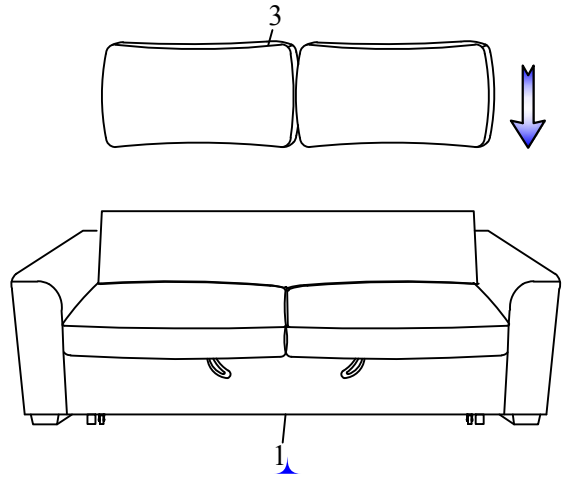
**STEP 1 :**

Align brackets on the arms (2) to each side of the seat frame (1) and push down to connect.



**STEP 2 :**

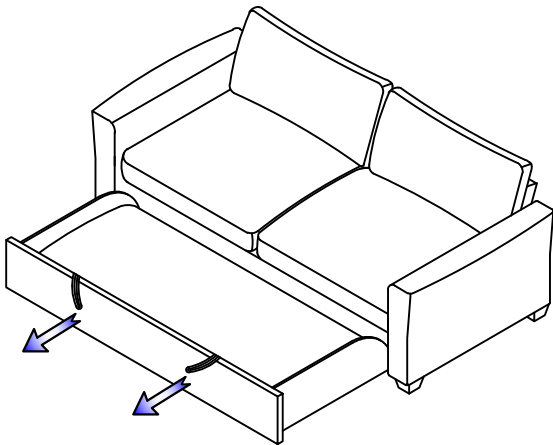
Place Back Cushion (3) to the Back Rest as shown.



**STEP 3 : Use as Bed**

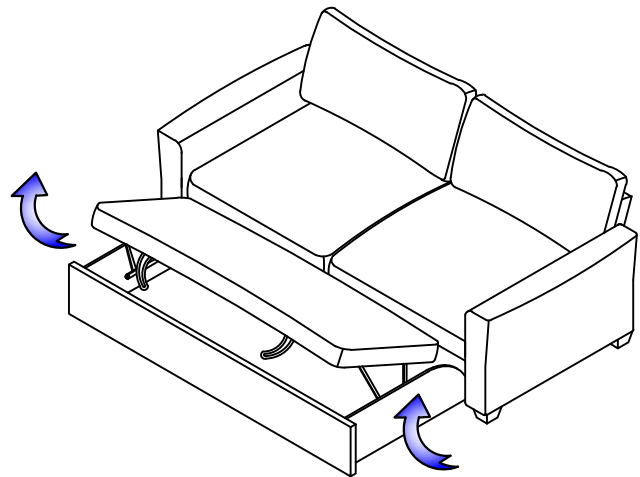
**Step 3.1:**

Bring forward the pull out bed underneath the seat frame using the straps as shown.



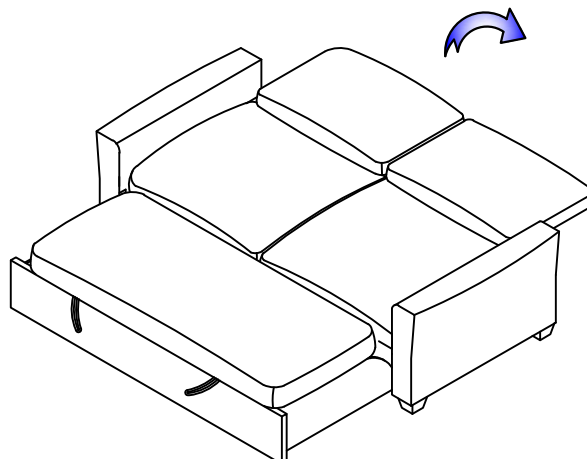
**Step 3.2:**

Lift up the pull out bed cushion as shown.



**Step 3.3:**

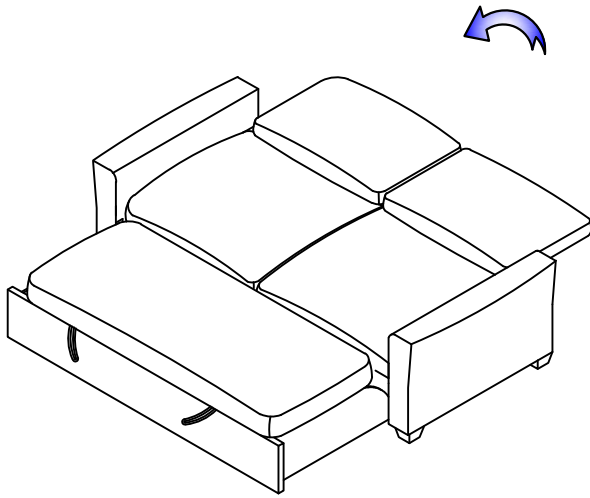
Flatten the back rest by releasing it from upright position.



**STEP 4 : Use as Sofa**

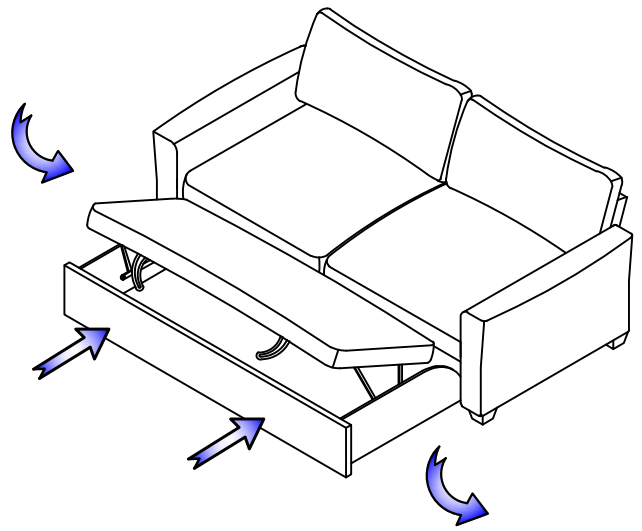
**Step 4.1:**

Fold the Back Rest to upright position.



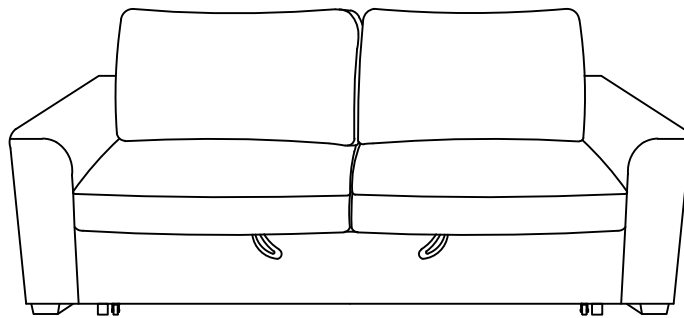
**Step 4.2:**

Restore the pull out bed under the seat frame as shown.



**STEP 5 :**

Completed.



**CARE INTRUCTION FOR FABRIC FURNITURE**

In order to maintain the original appearance of your funiture, please follow below care procedures.

°Avoid exposing furniture directly to sunlight or heating and air conditioning outlets. Sunlight and / or exposure to heading and air conditioning outlets will fade/damage fabric. Do not place your upholstered furniture too close to windows, radiators, r vents and be sure to use window treatments to block the sun's rays.

°Wipe with a soft brush to remove dust.